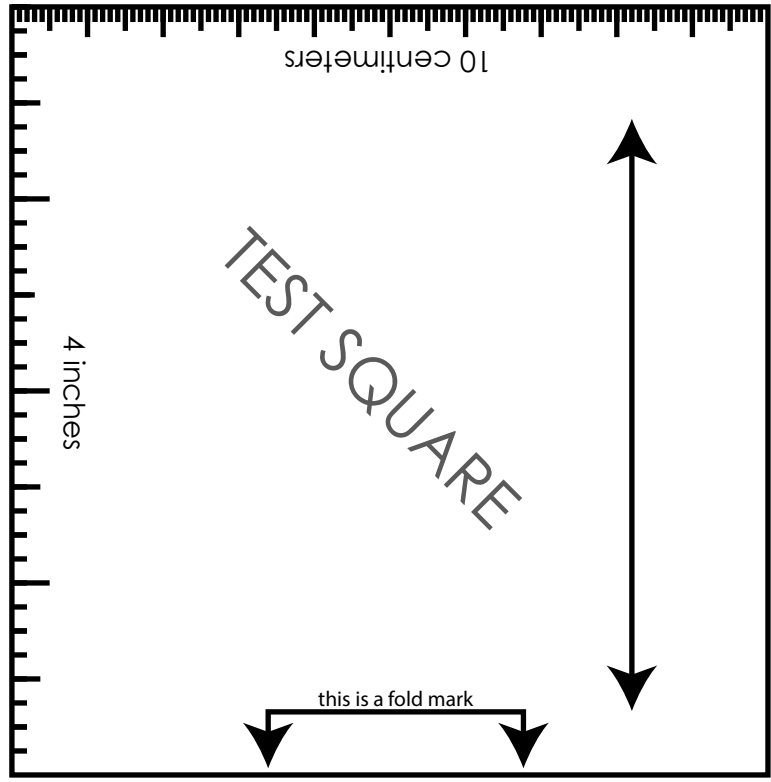
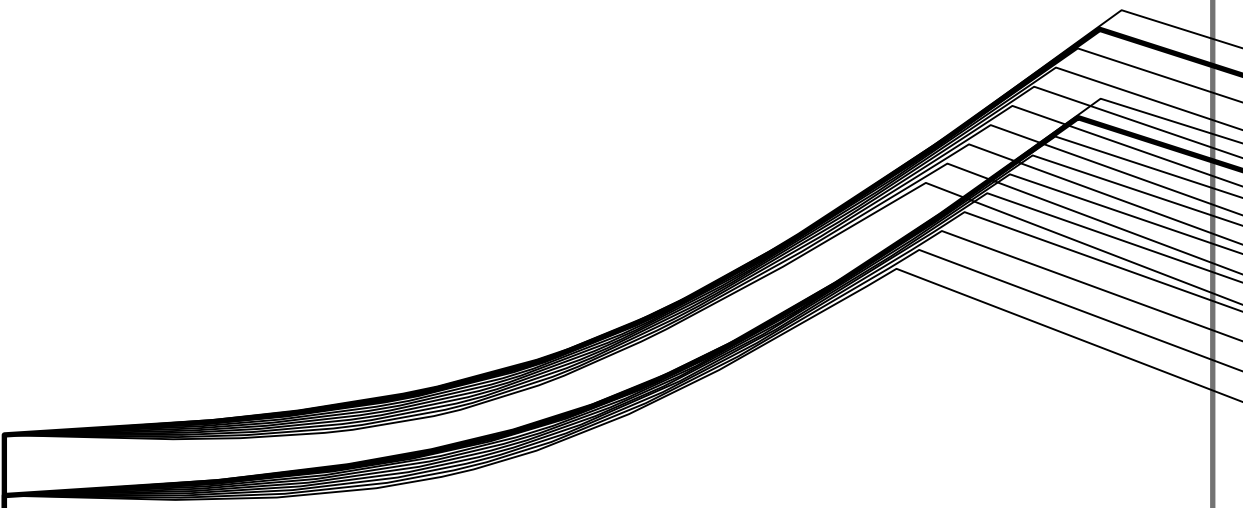


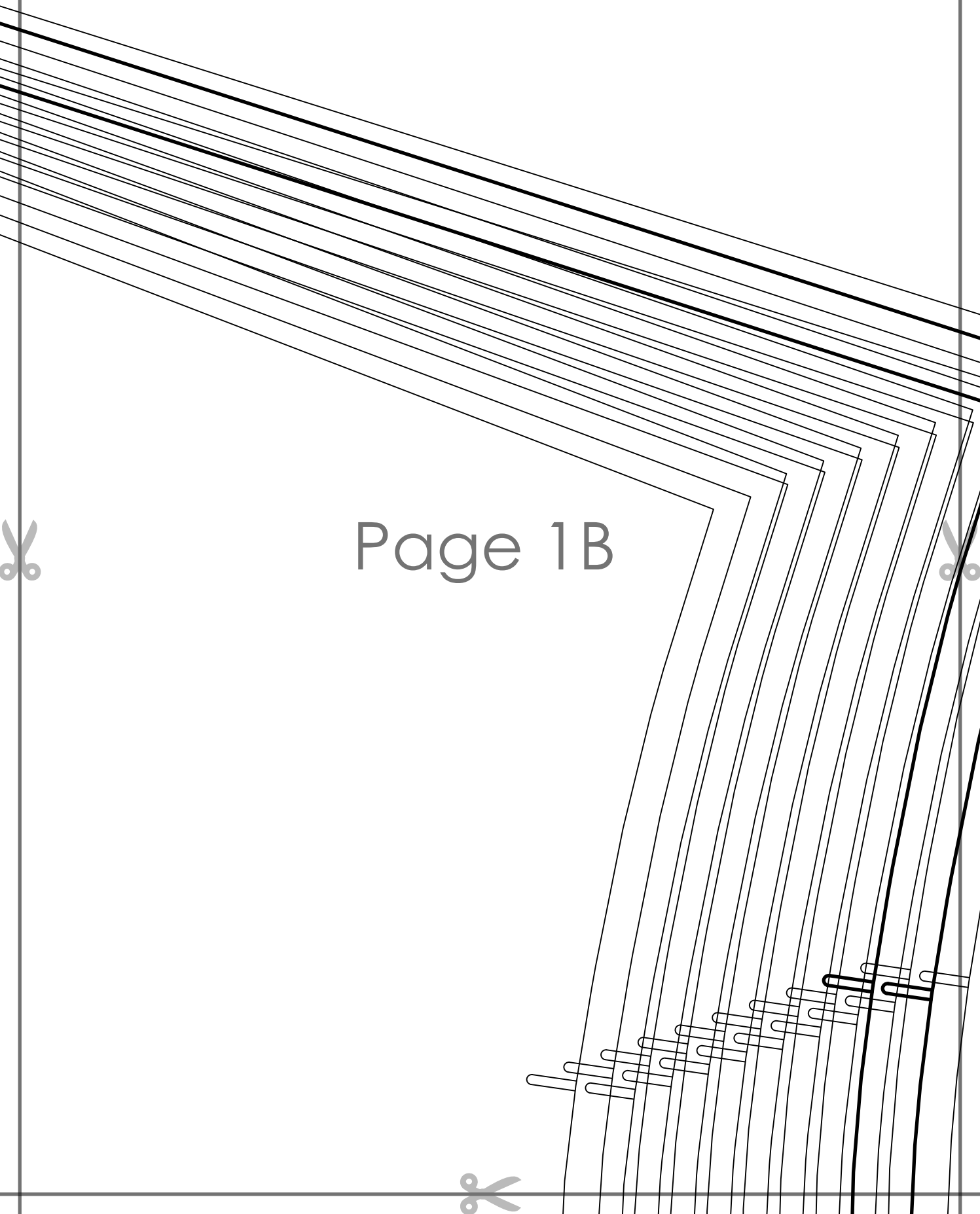


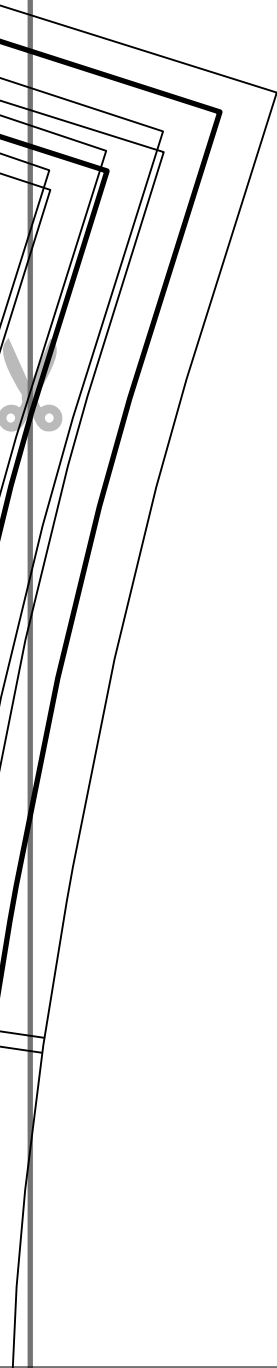
Page 1A





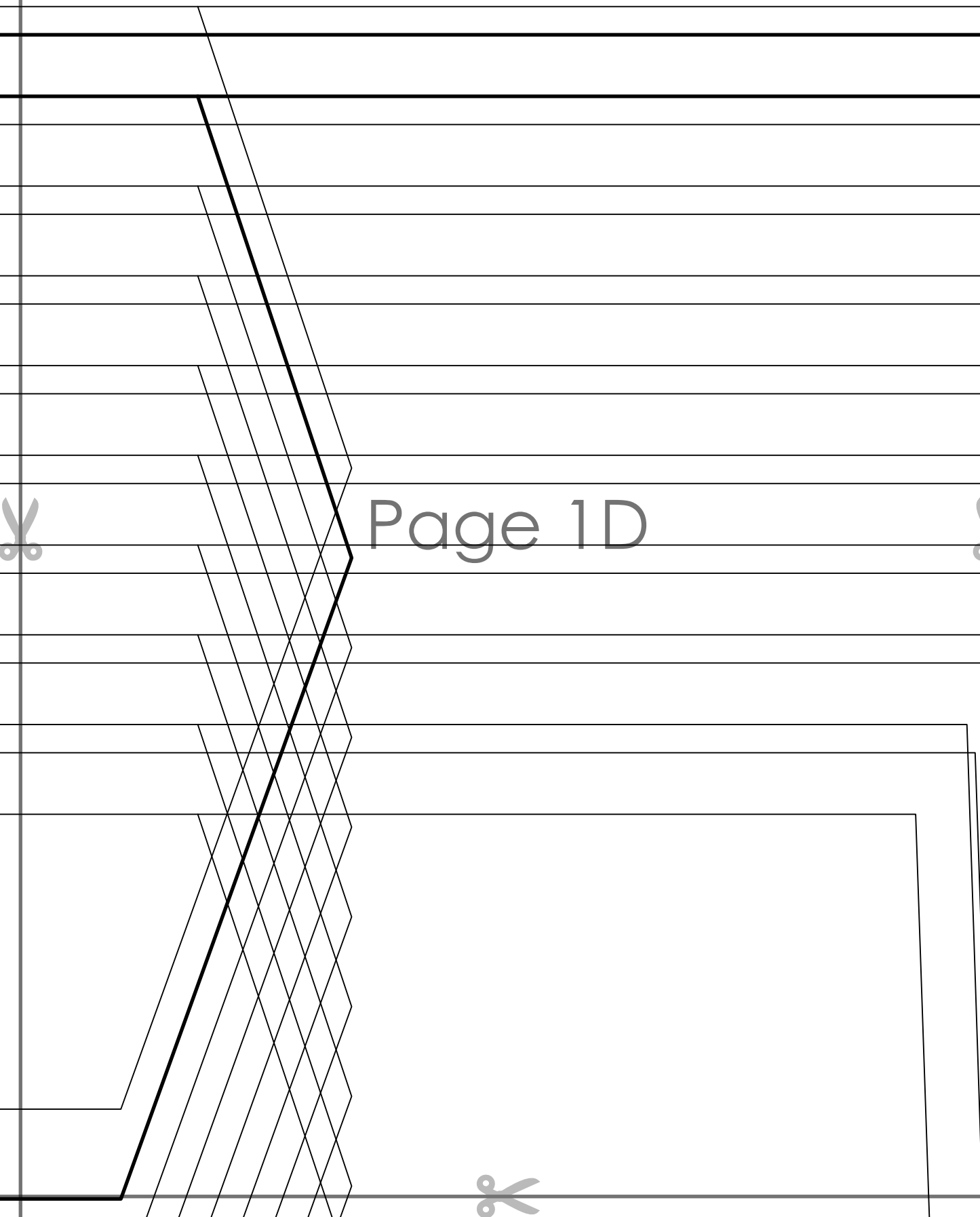
Page 1B





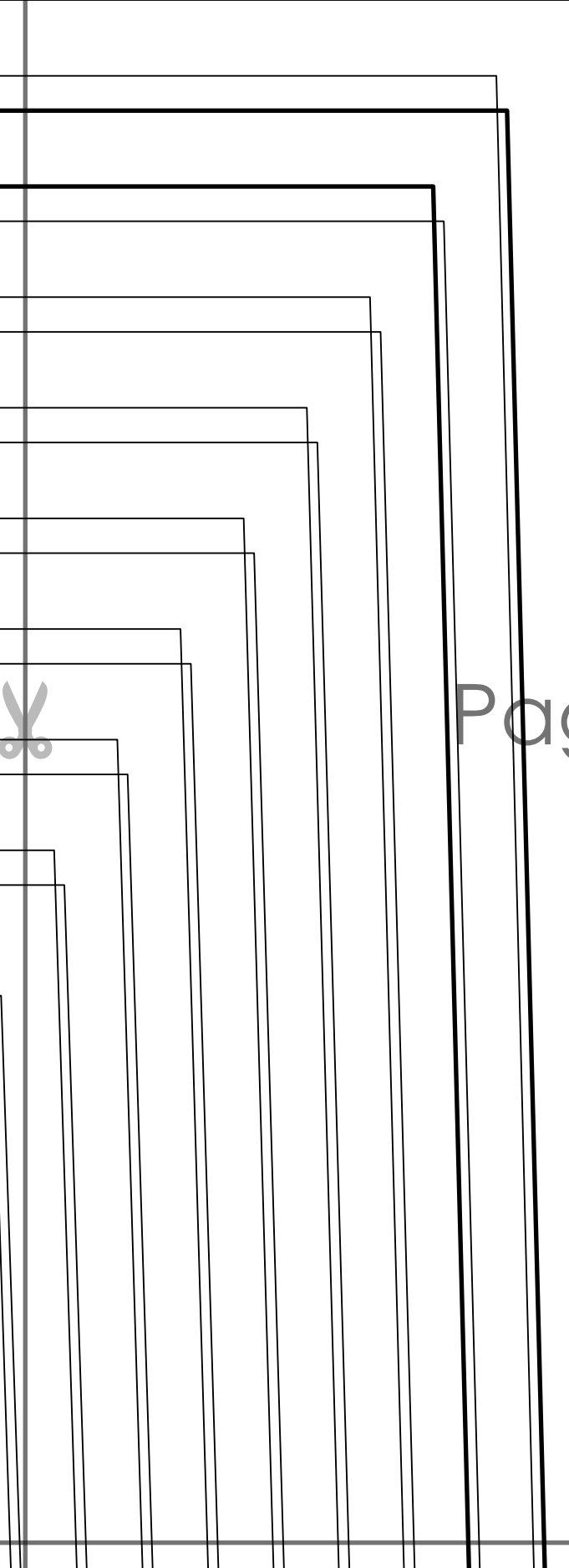
Page 1C



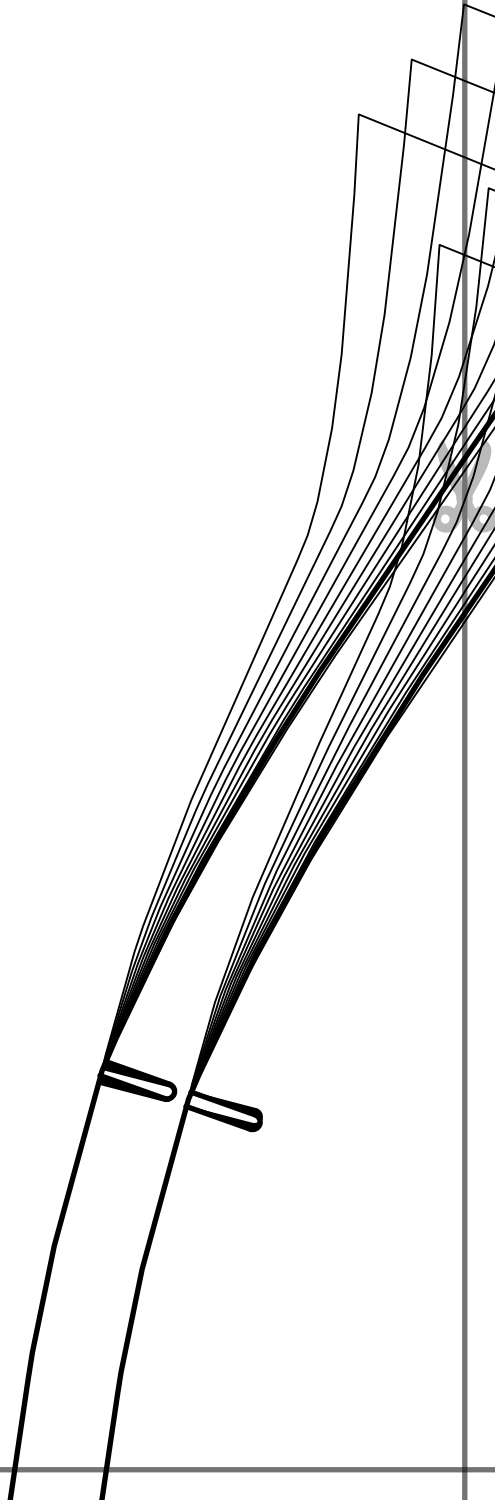


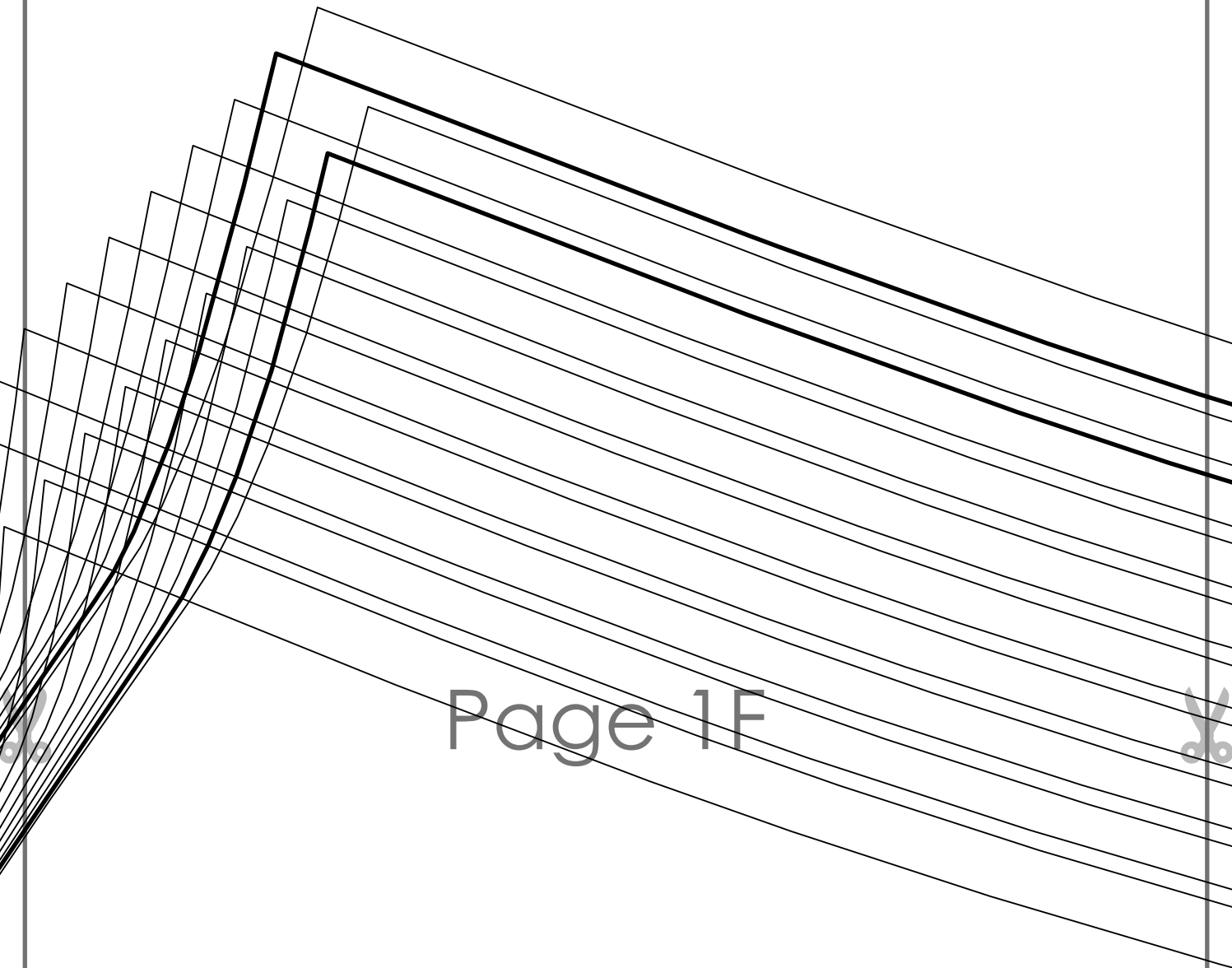
Page 1D





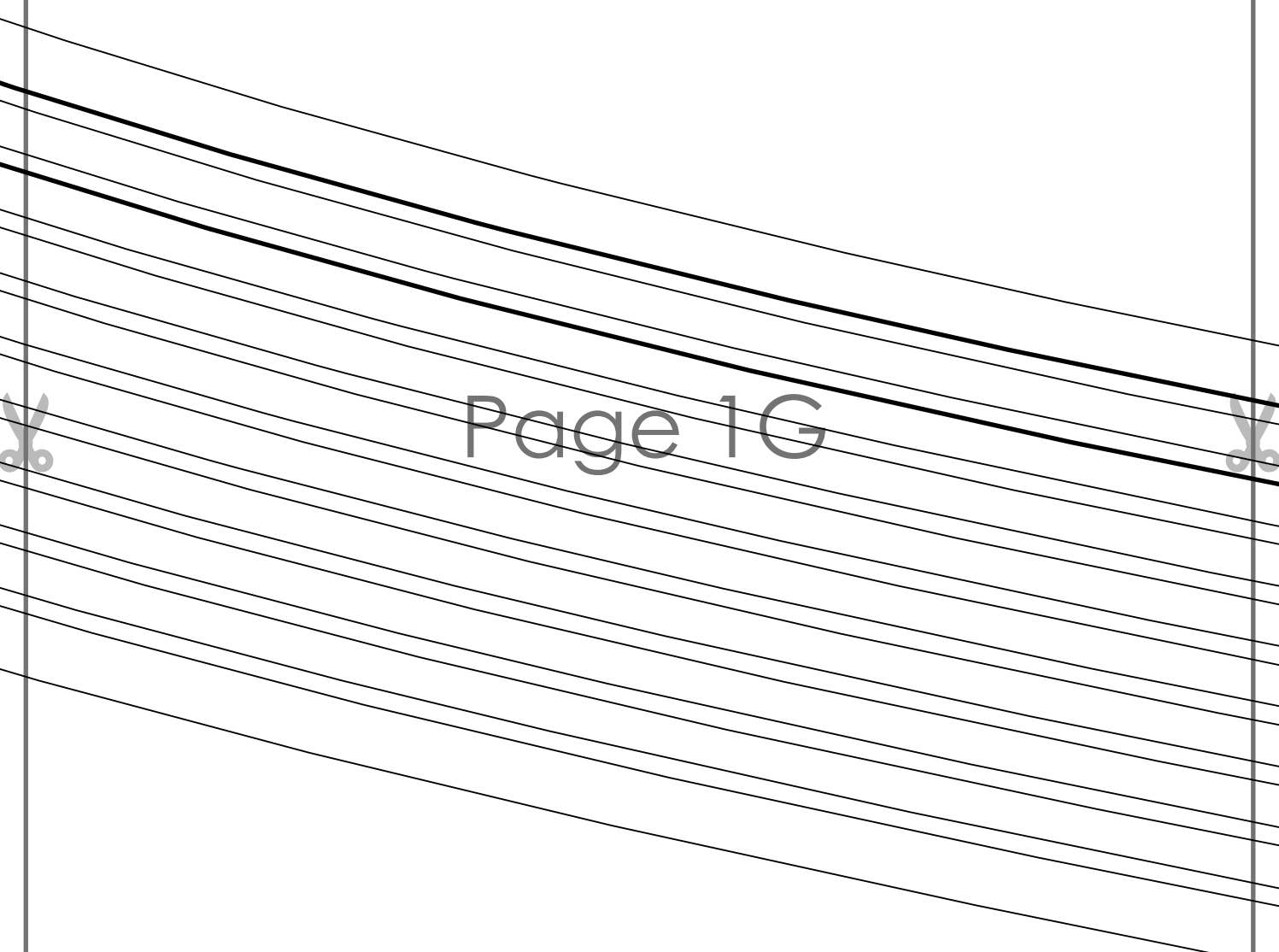
Page 1E





Page 1F



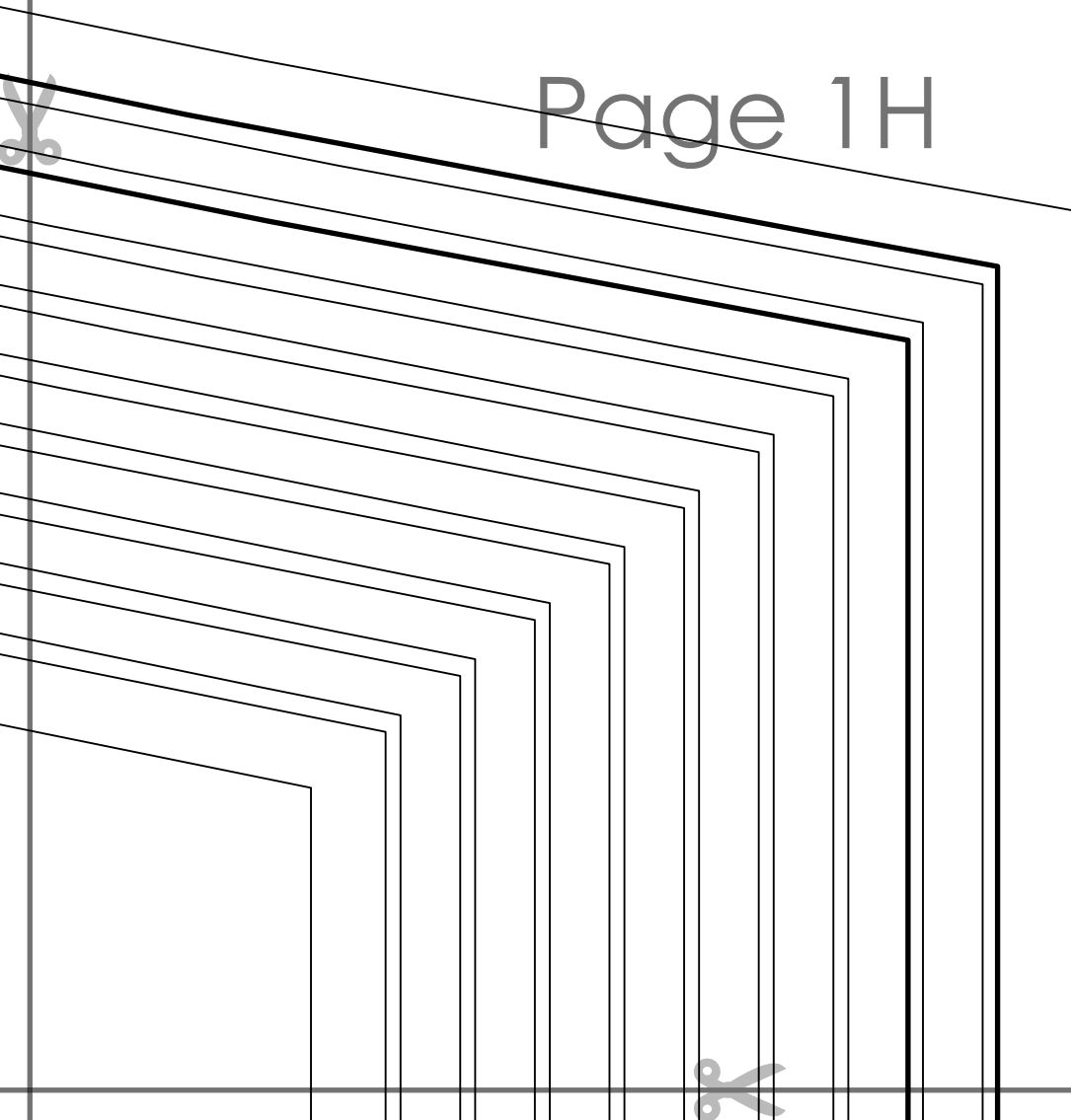


Page 1G





Page 1H





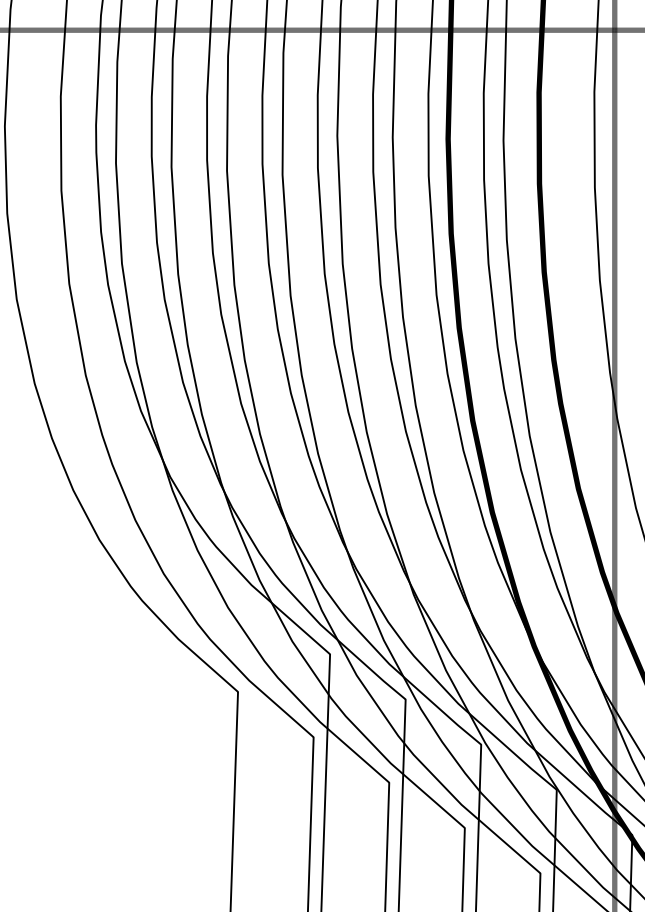
**MEN'S HOODIE
with seam allowance**

~~Size 2XS~~

BACK
cut 1 on fold



Page 2A



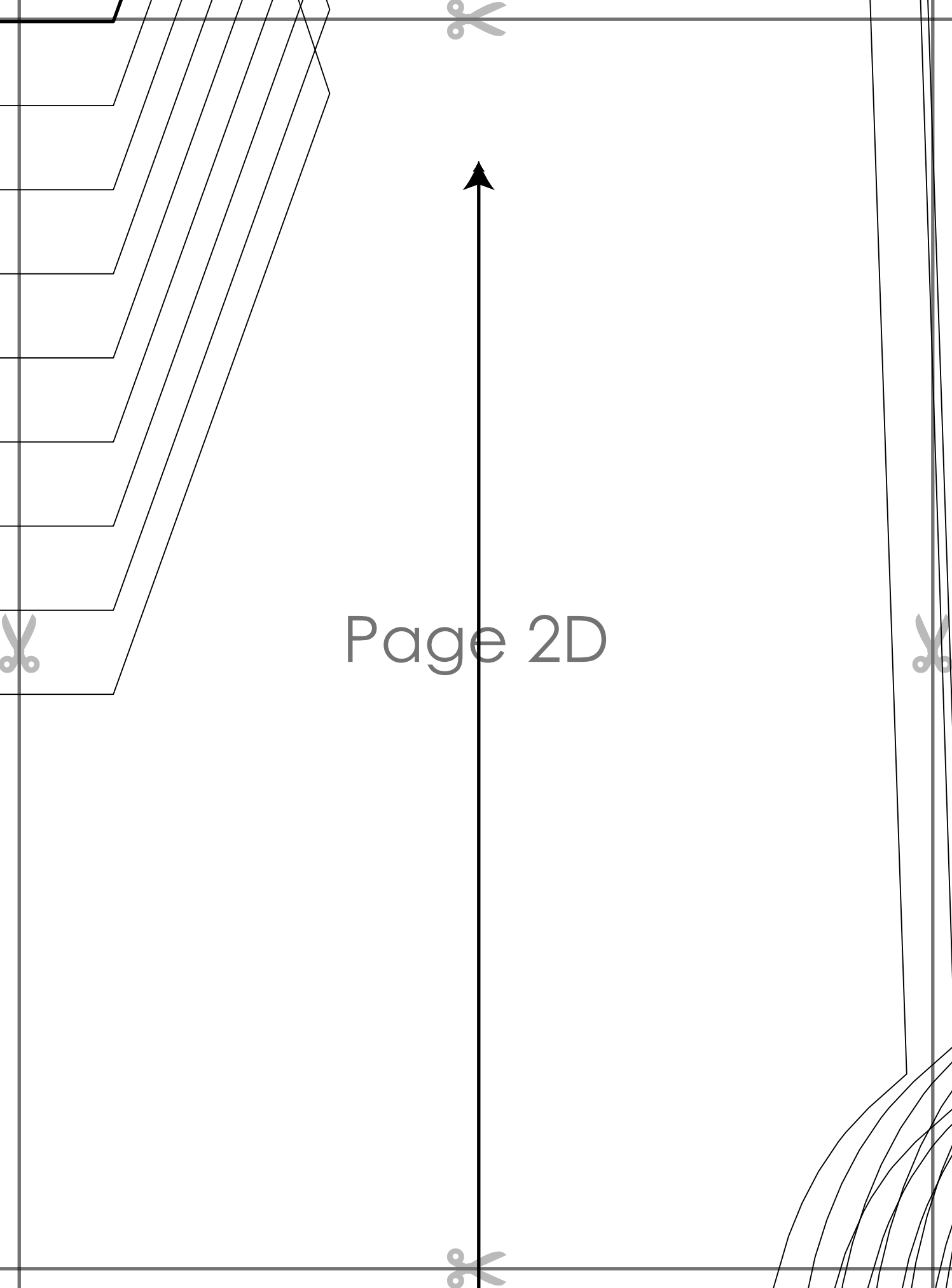
Page 2B





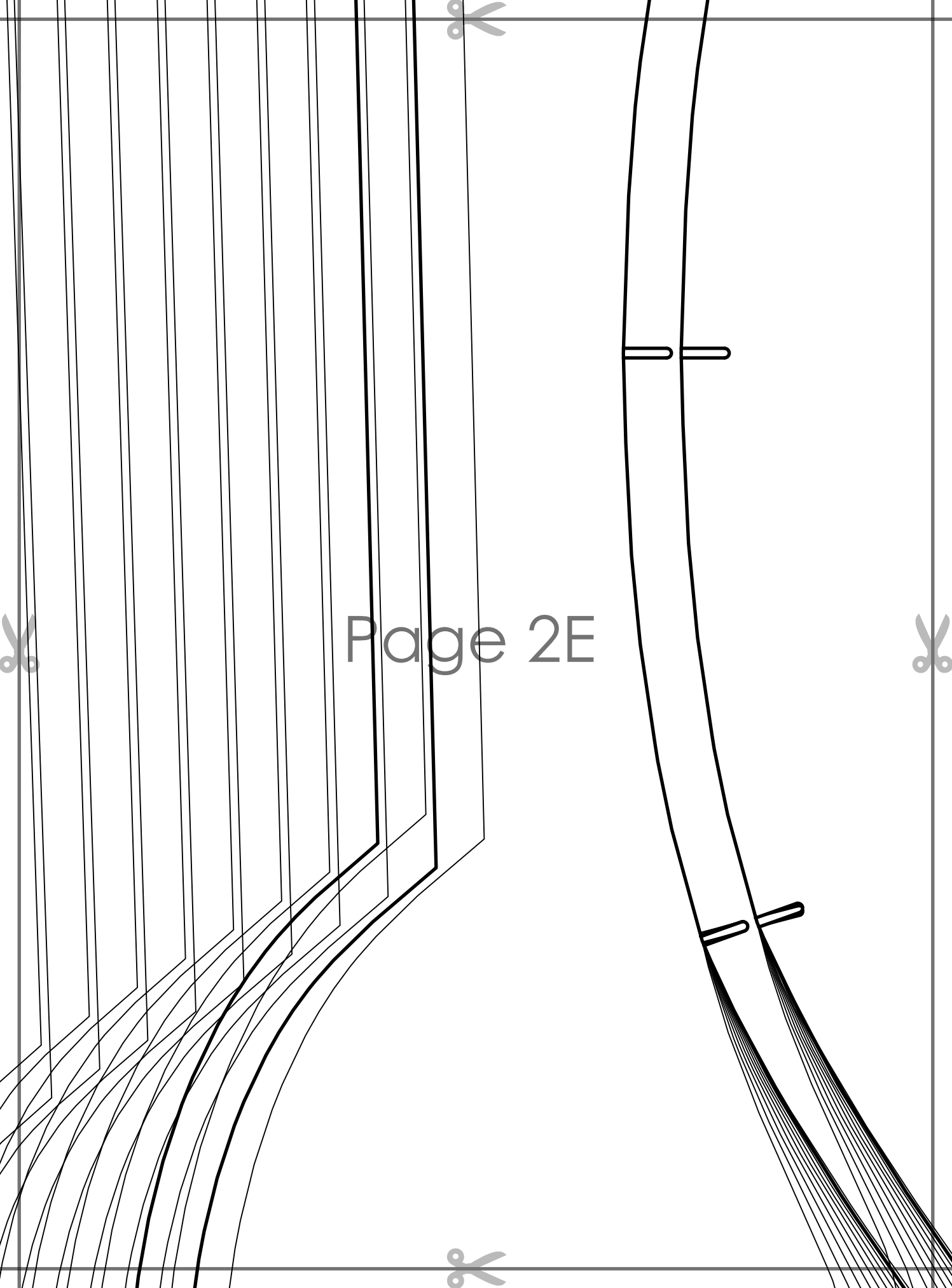
Page 2C





Page 2D

Page 2E



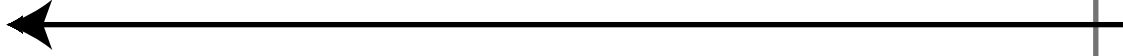


MEN'S HOODIE
with seam allowance

~~SIZE 2~~

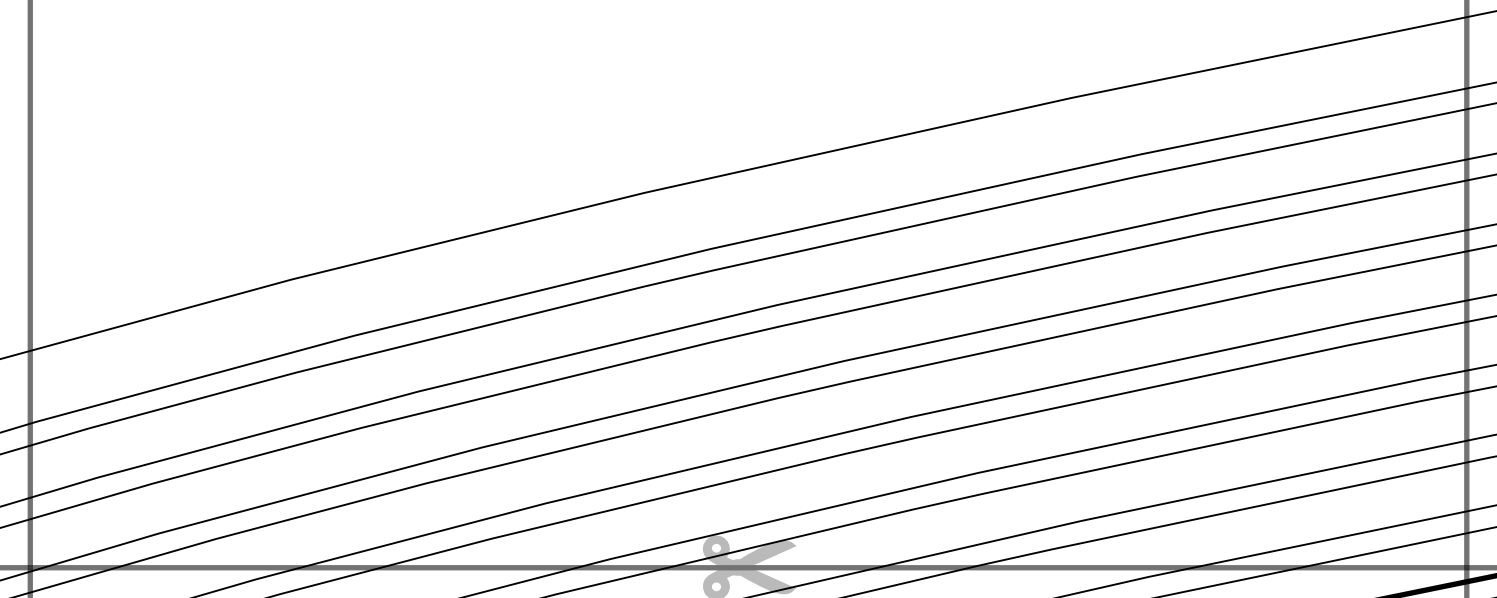
SLEEVE
cut 2

Page 2F





Page 2G





Page 2H





For more ideas and free sewing patterns, visit <http://tianasclotet.com>

Page 3A

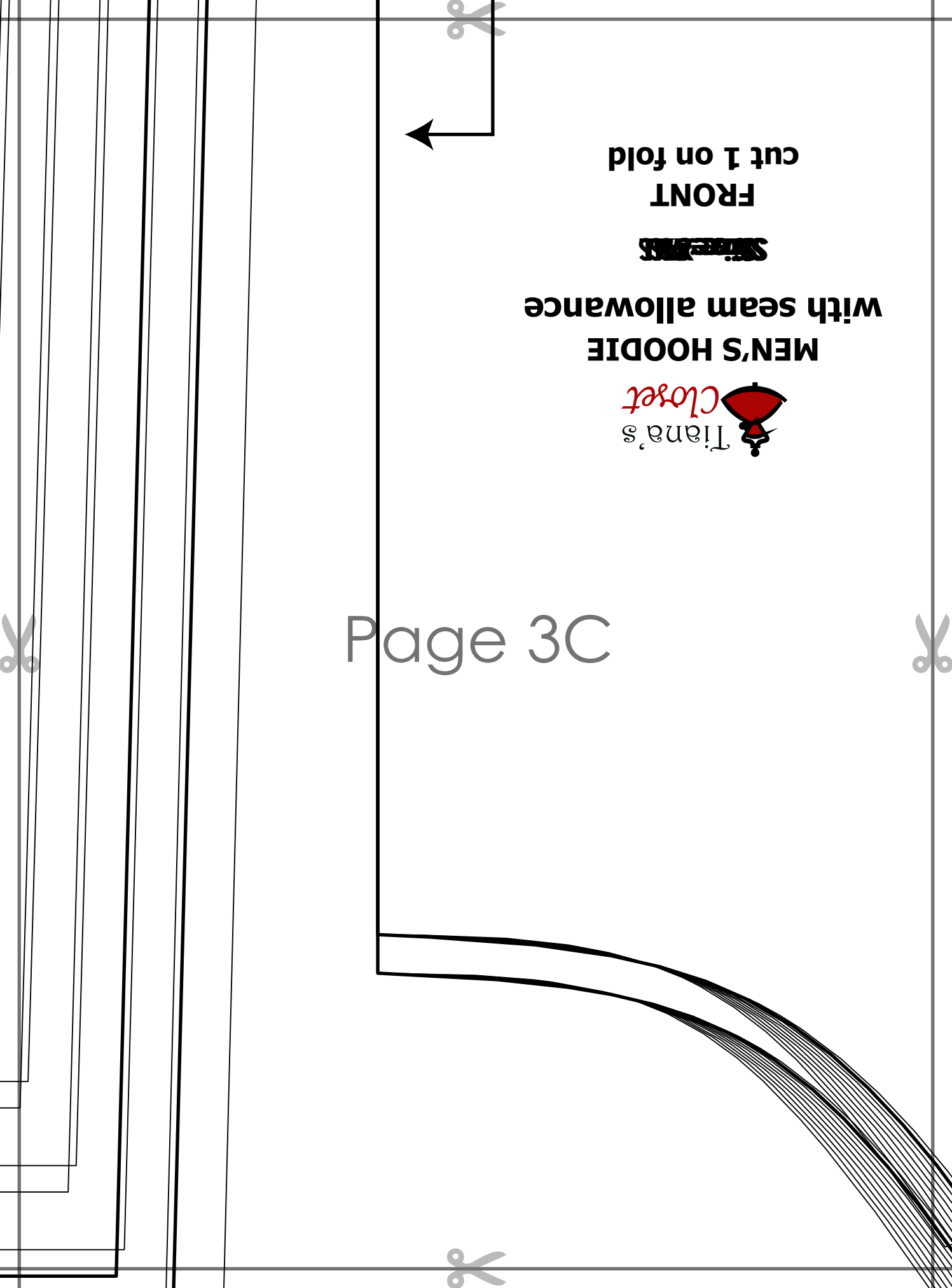




et.com

Page 3B





cut 1 on fold

FRONT

~~SEAMS~~

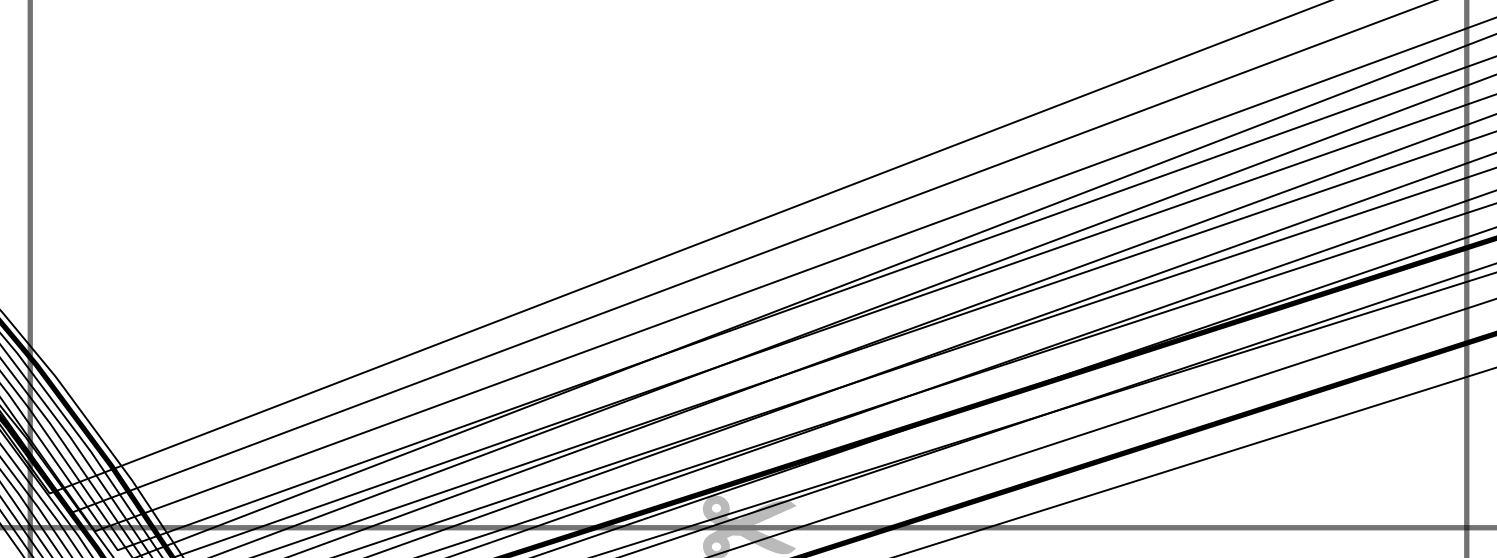
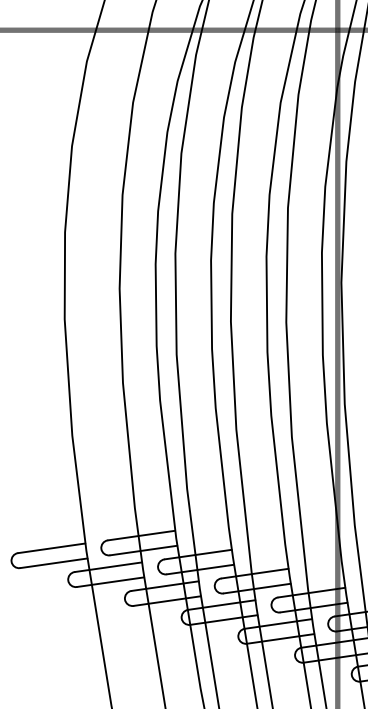
with seam allowance

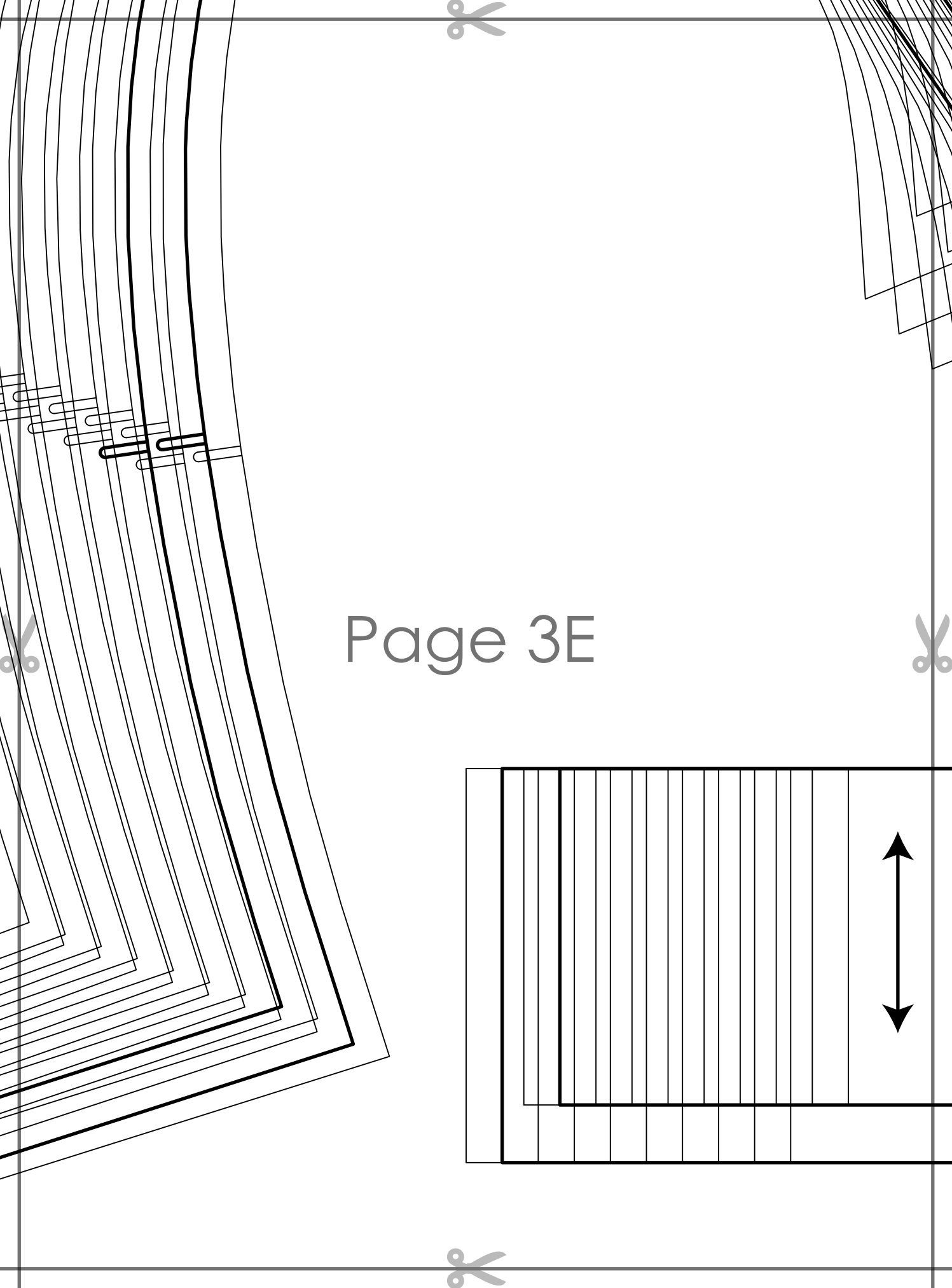
MEN'S HOODIE



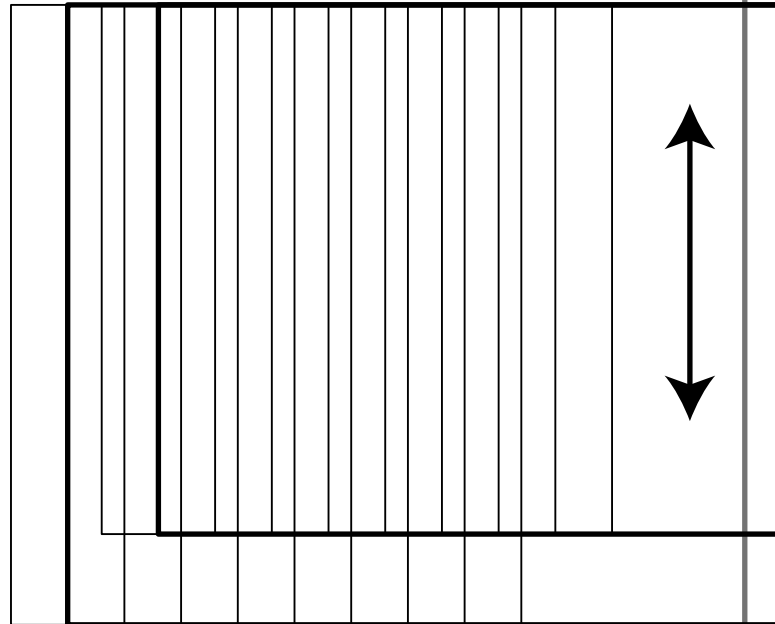
Page 3C

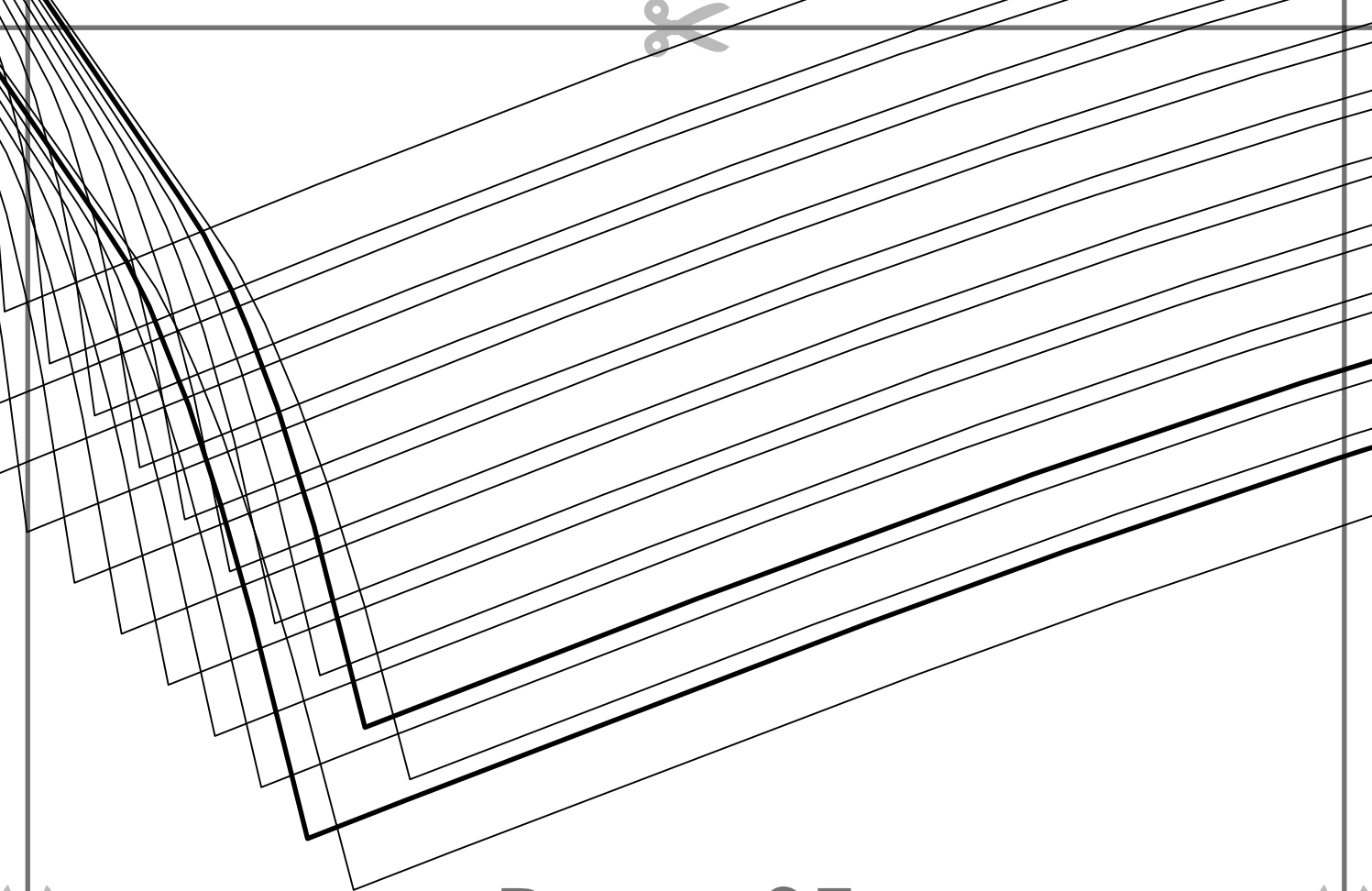
Page 3D





Page 3E





Page 3F

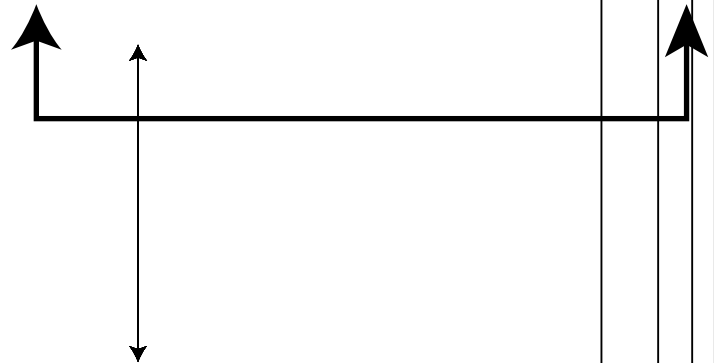


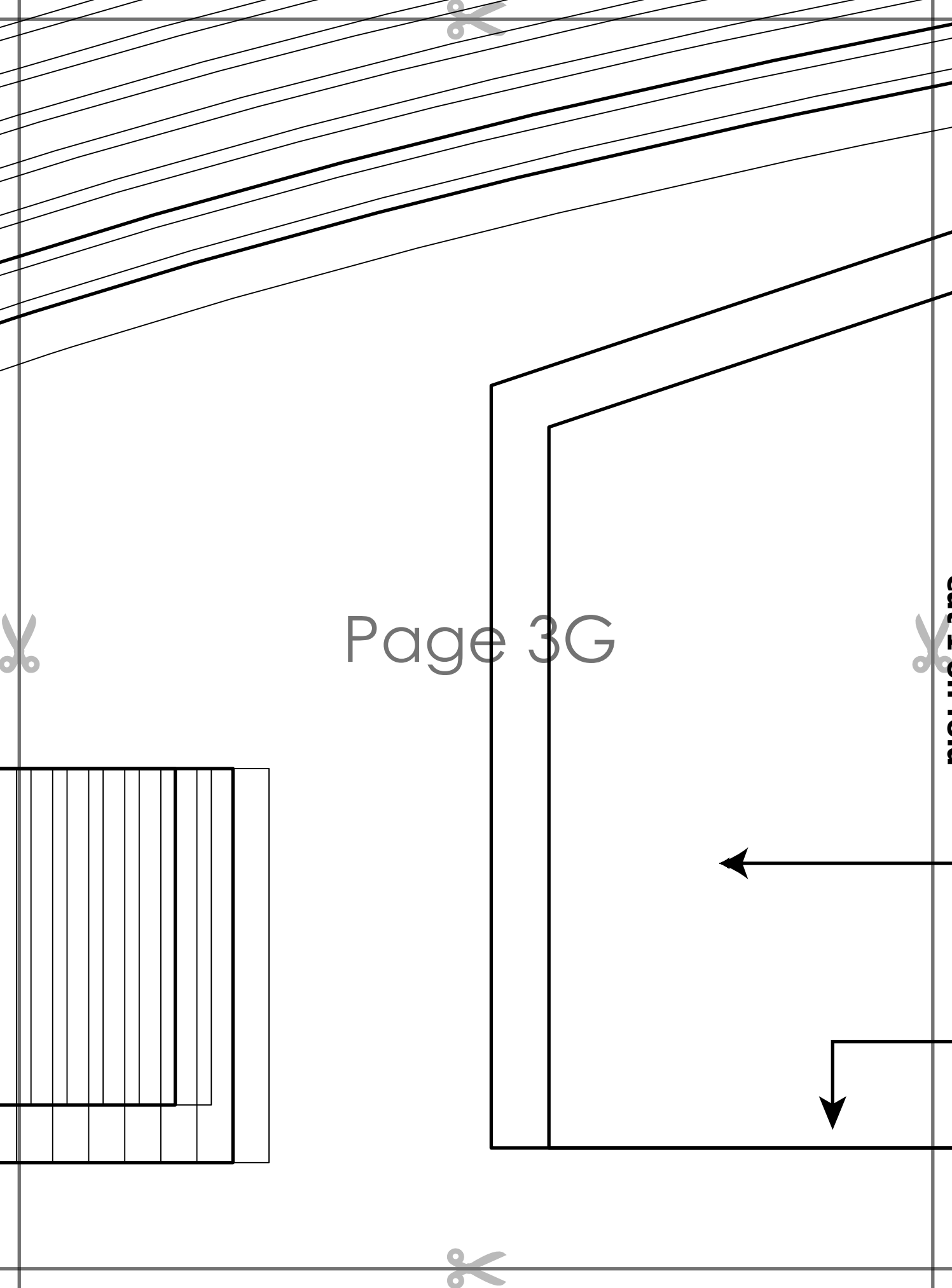
Tiana's
Closet

MEN'S HOODIE
with seam allowance

~~Size M~~

SLEEVE CUFF
cut 2





Page 3G



Page 3H



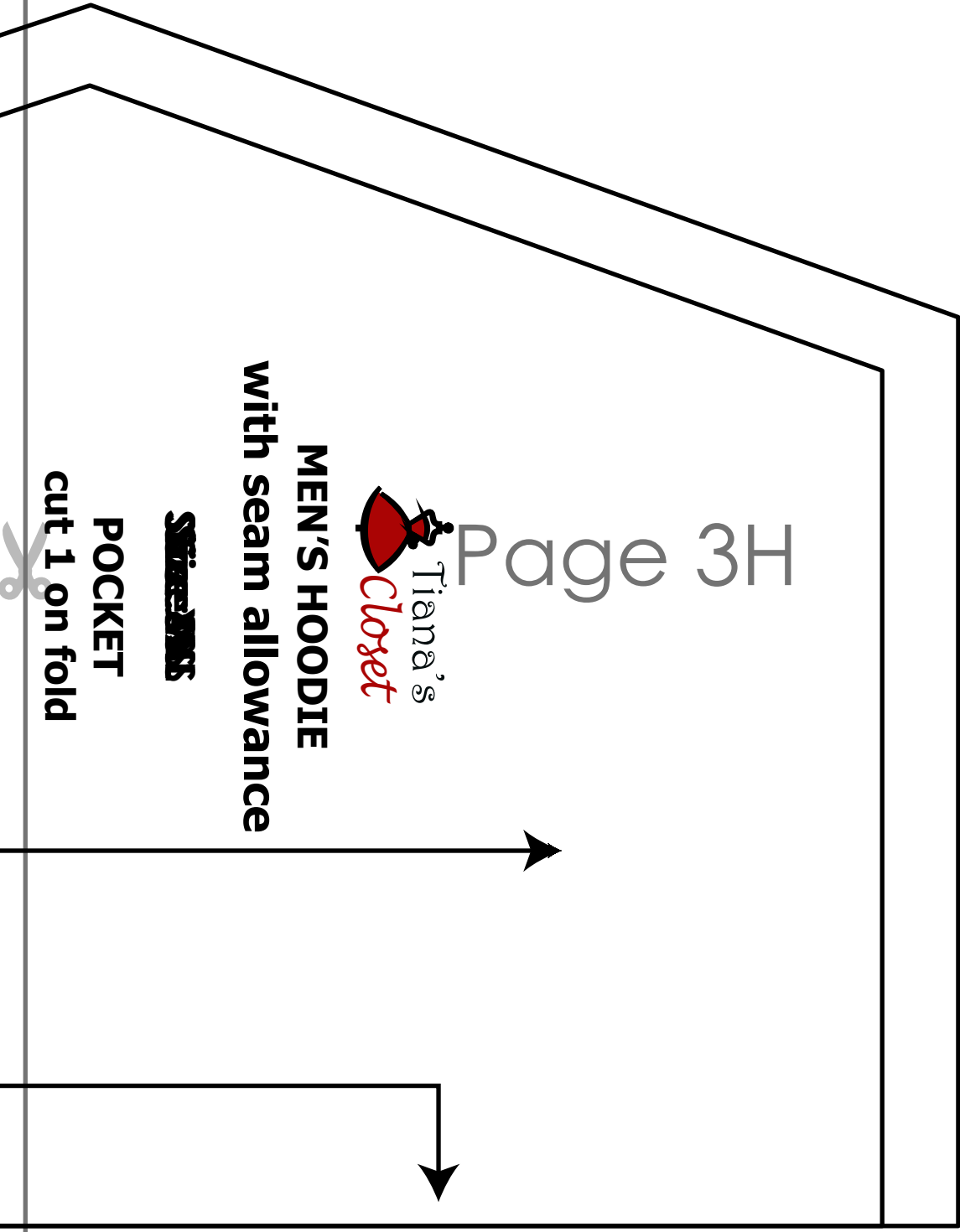
Tiana's
Closet

MEN'S HOODIE
with seam allowance

~~SEAM ALLOWANCE~~

POCKET

cut 1 on fold





Page 4A





Page 4B





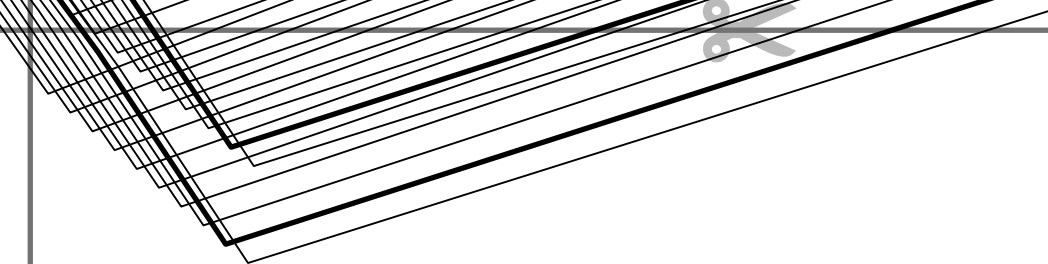
MEN'S HOODIE
with seam allowance

Page 4C

~~Size M~~

HEM
cut 1





Page 4D





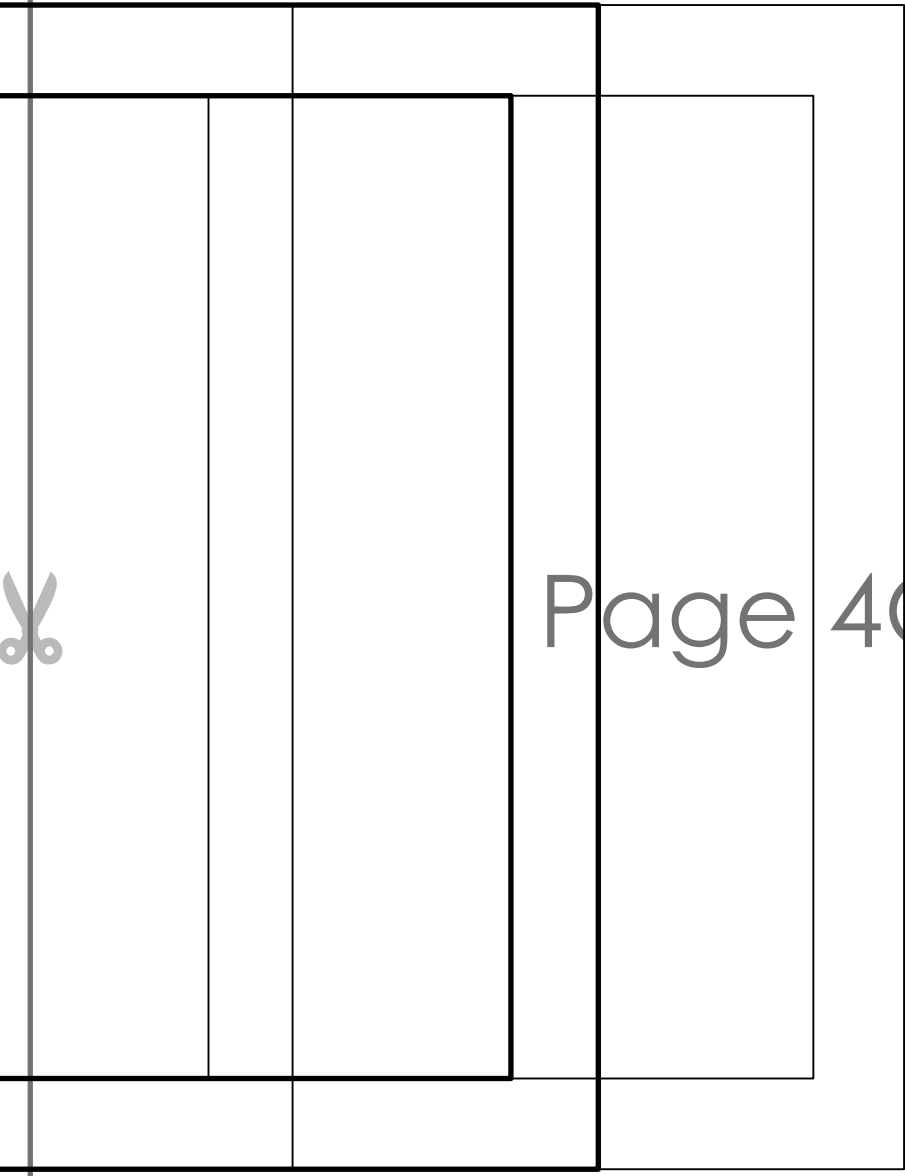
Page 4E





Page 4F



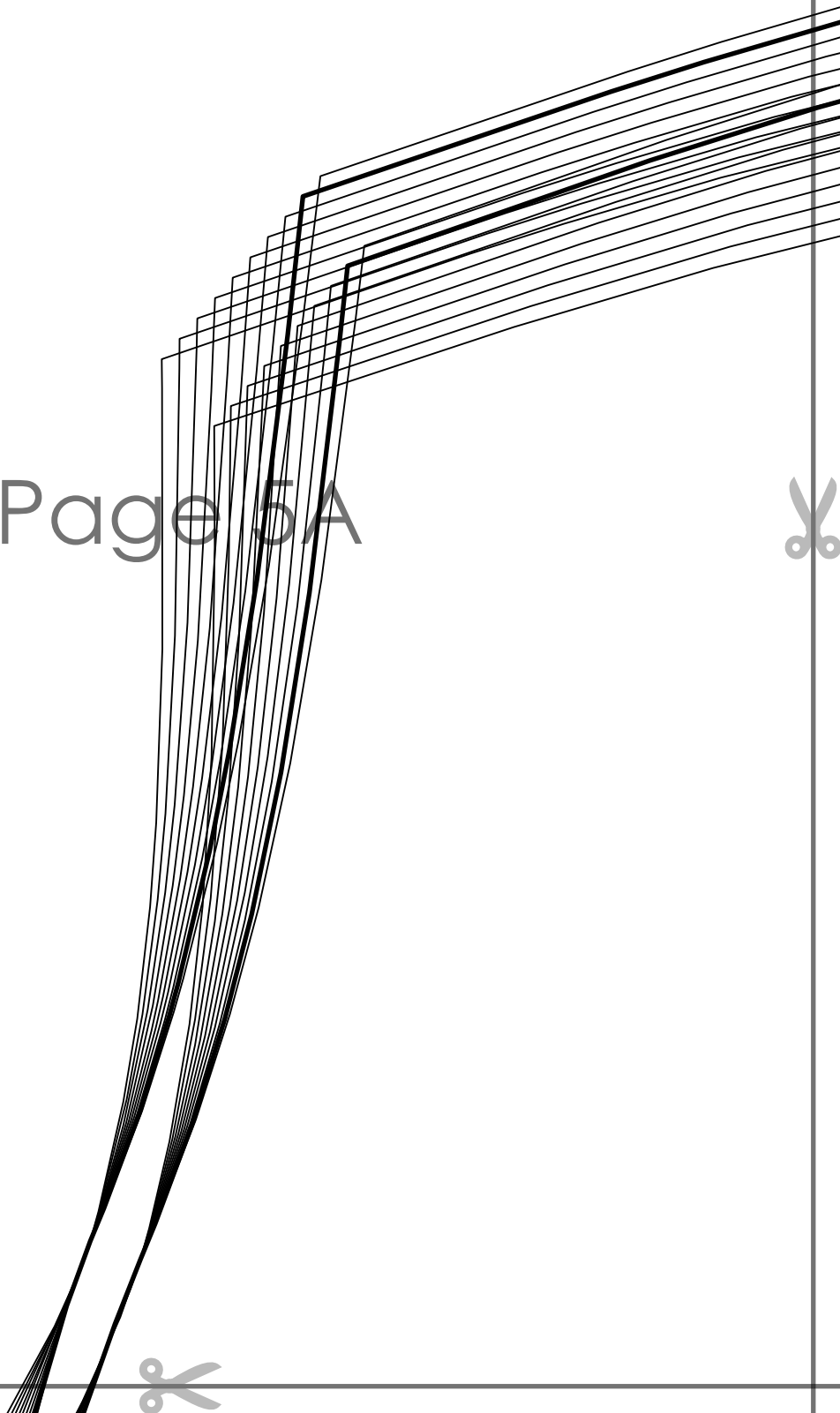


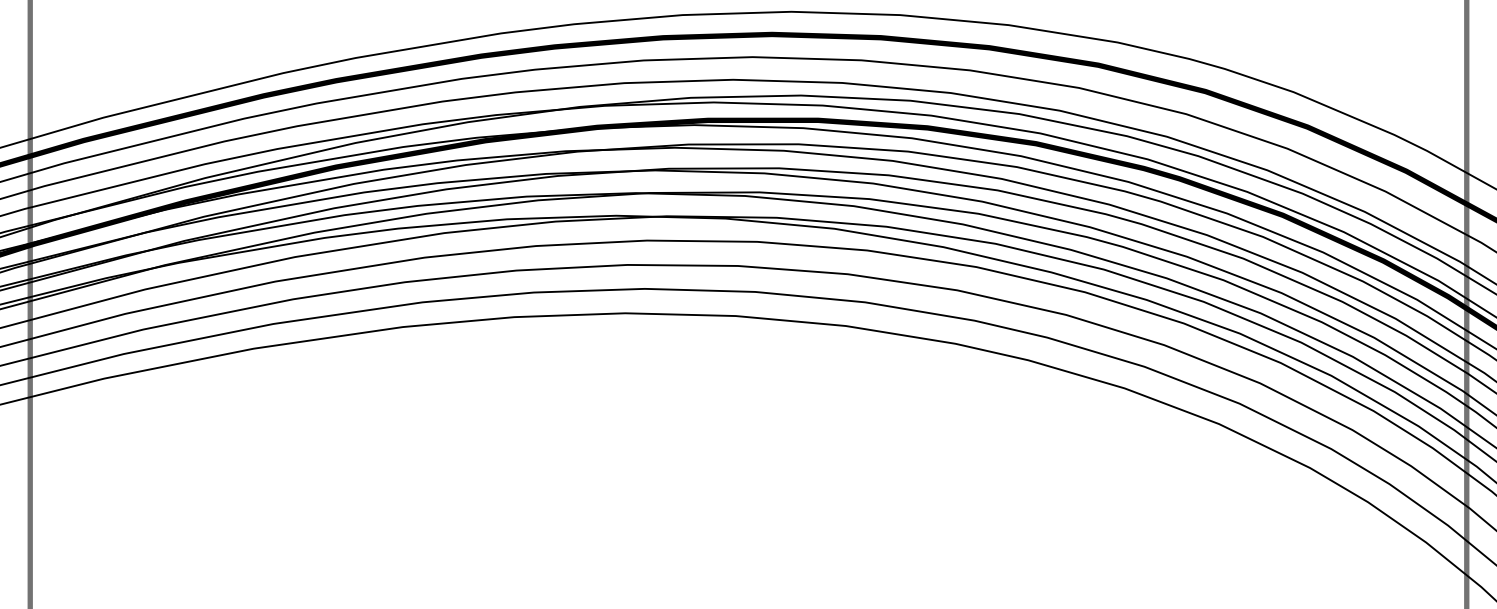
Page 4G





Page 5A





Page 5B



MEN'S HOODIE
with seam allowance

~~SEAM ALLOWANCE~~

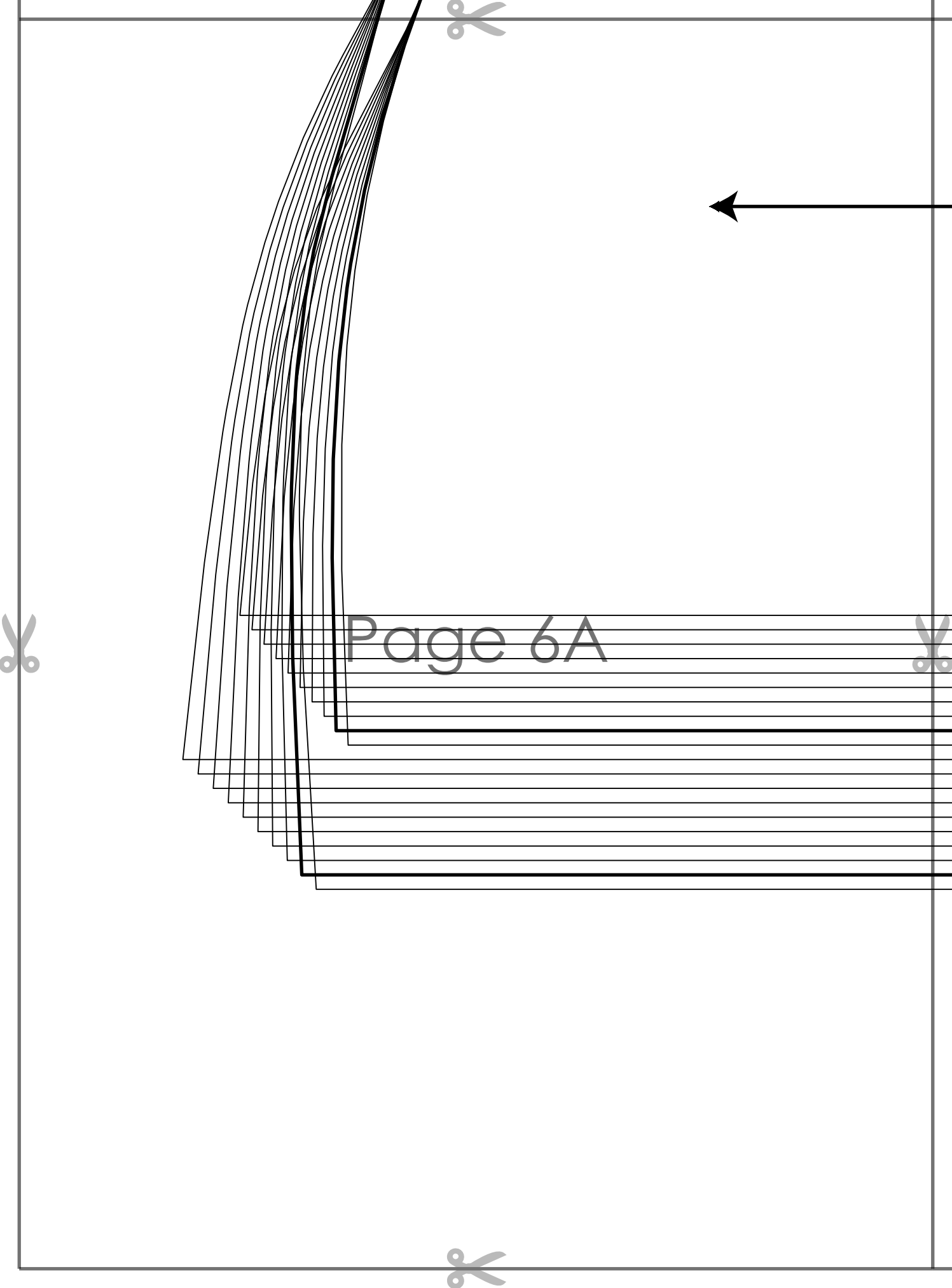
HOOD
cut 2



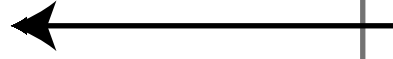


Page 5C





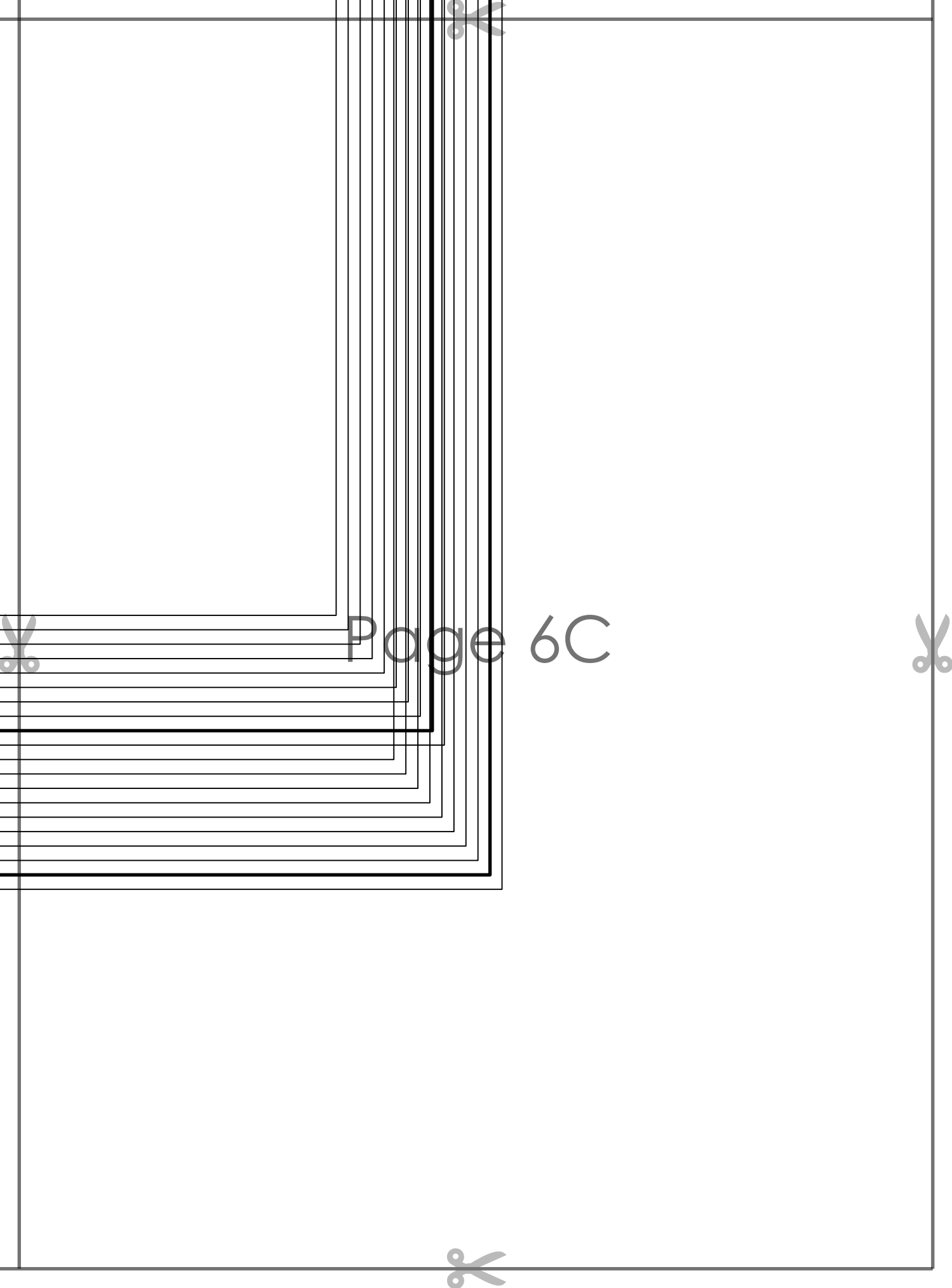
Page 6A





Page 6B





Page 6C