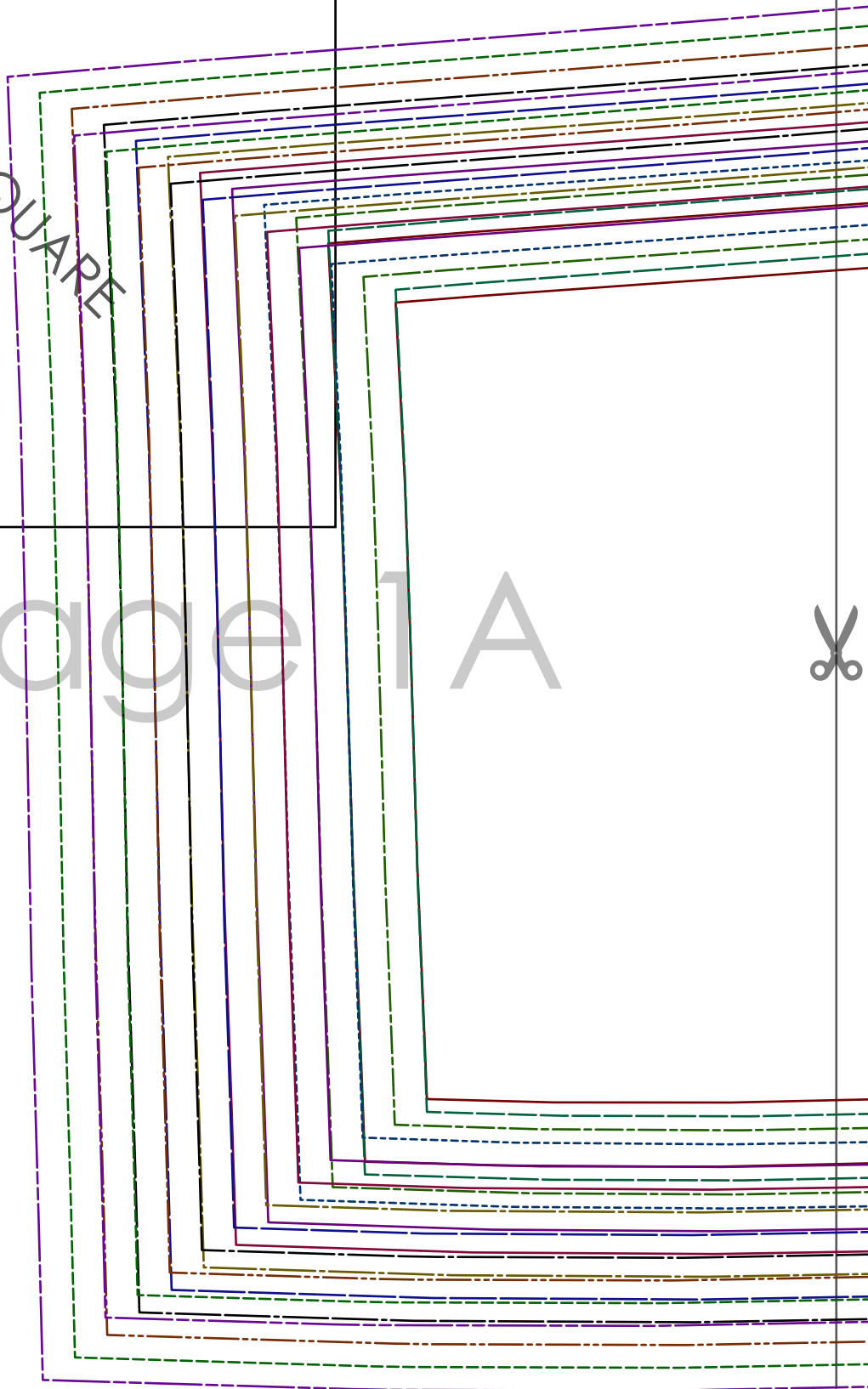
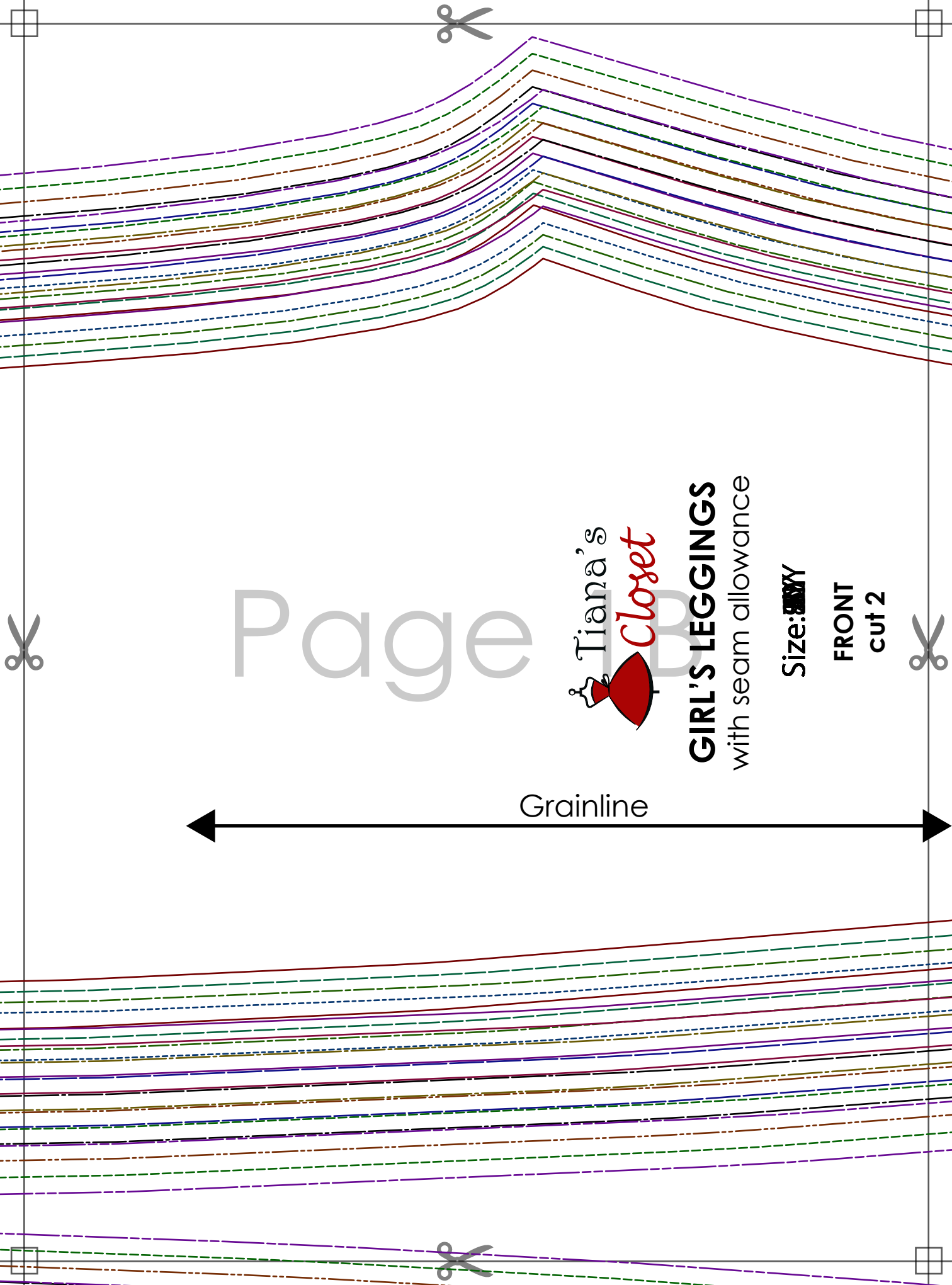


TEST SQUARE

Page 1 A





Page

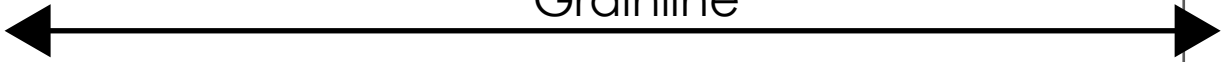


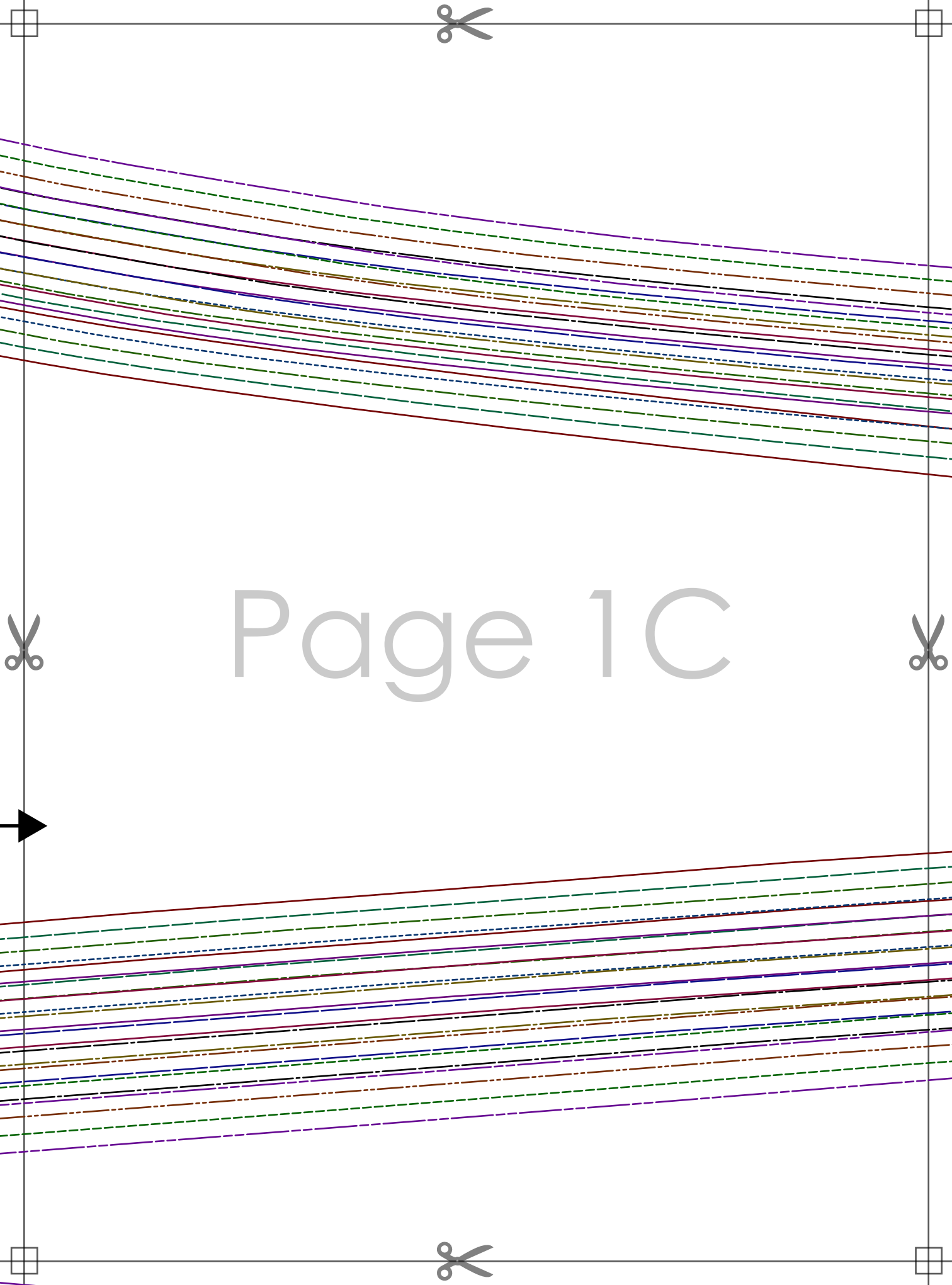
**GIRL'S LEGGINGS**  
with seam allowance

Size: ~~XXX~~Y

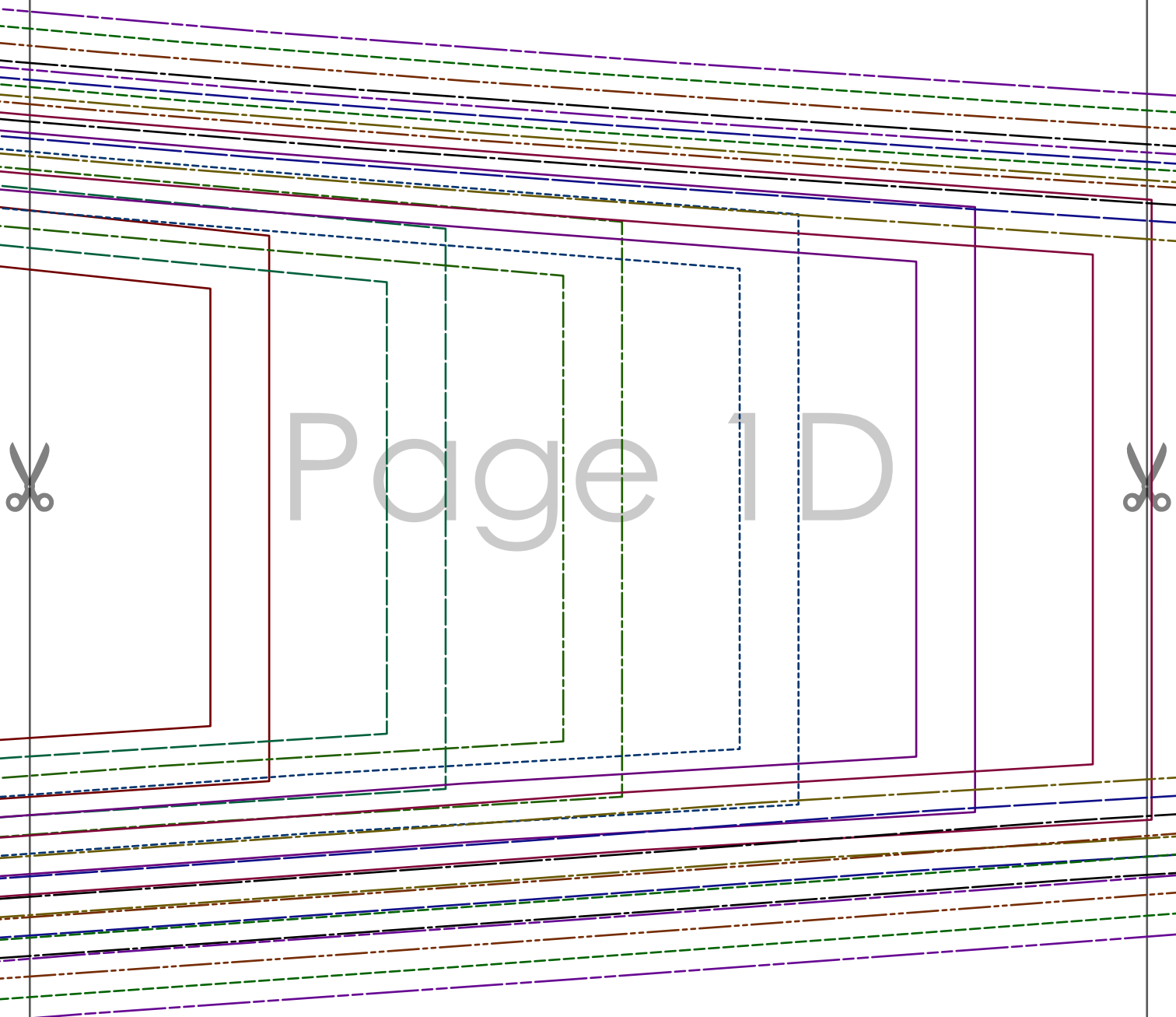
**FRONT**  
cut 2

Grainline

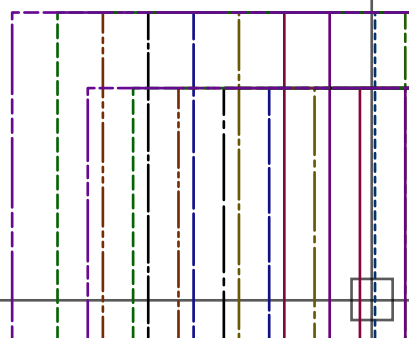


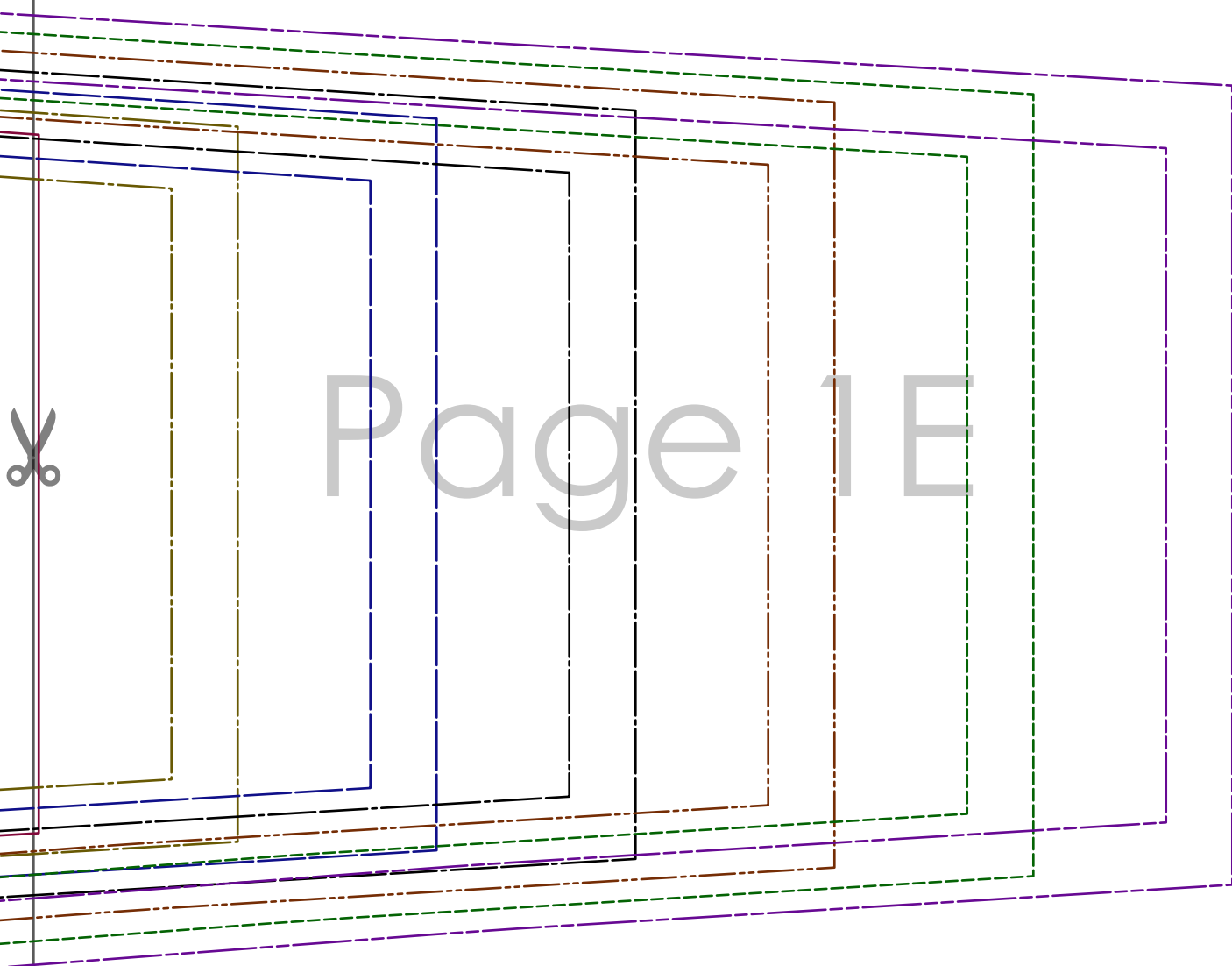


Page 1C



Page 1D





Page 1 E



Tiana's  
*Closet*

**GIRL'S LEGGINGS**  
with seam allowance

Size: **000**

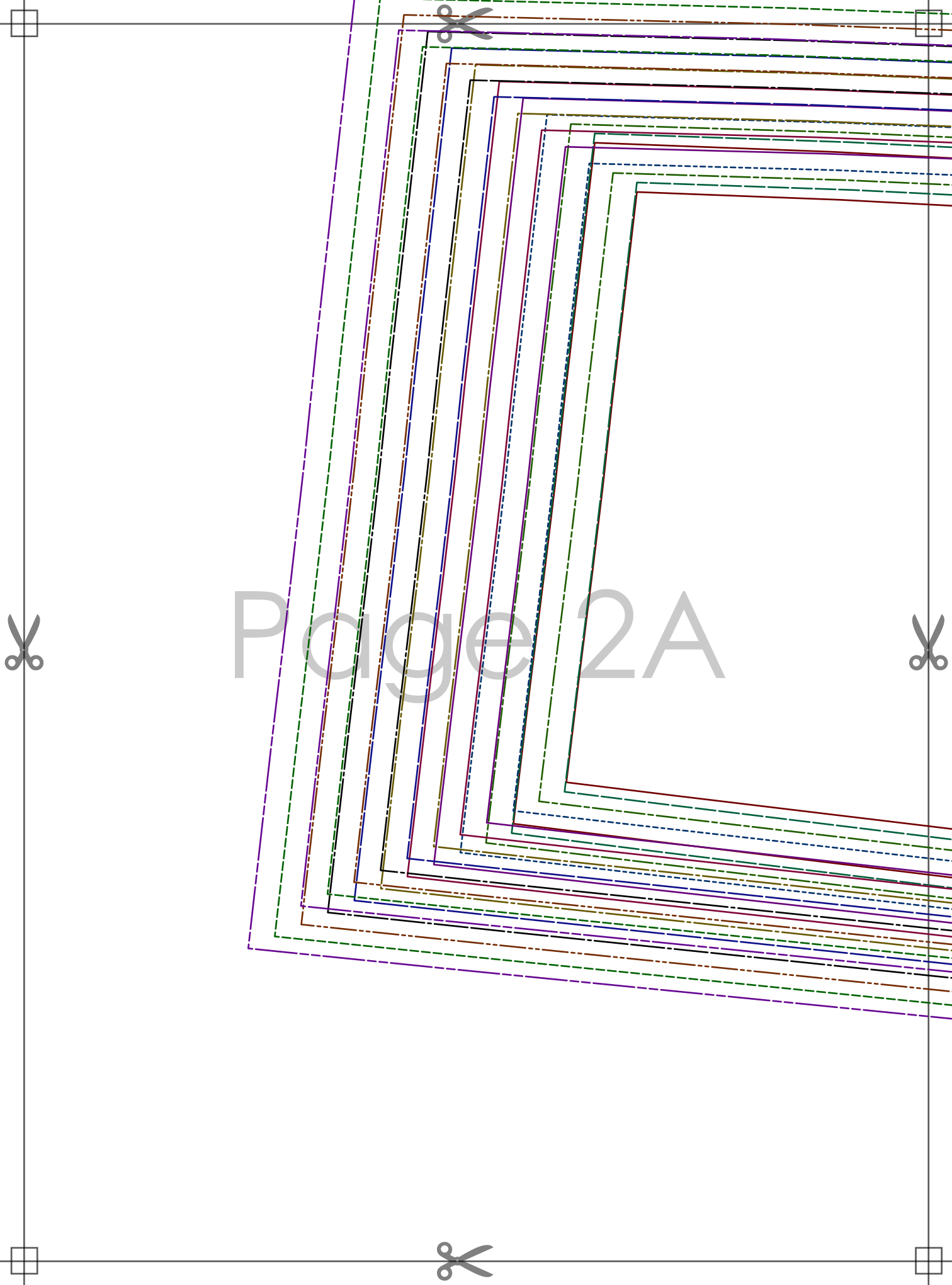
**WAISTBAND**



Grainline

Id along this line

Page 2A



Page 28

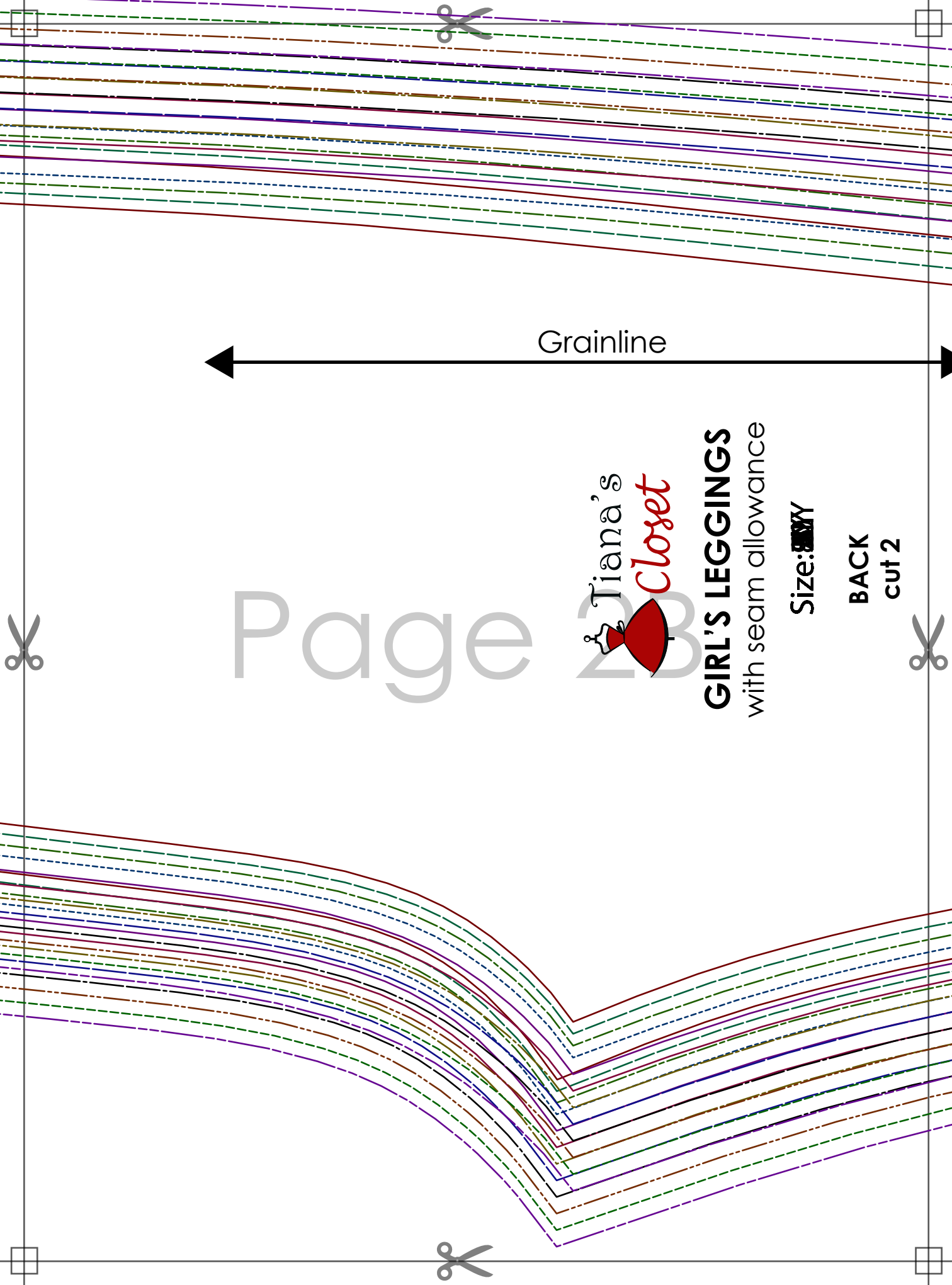
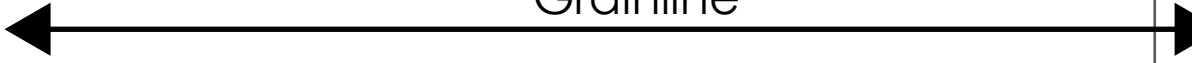


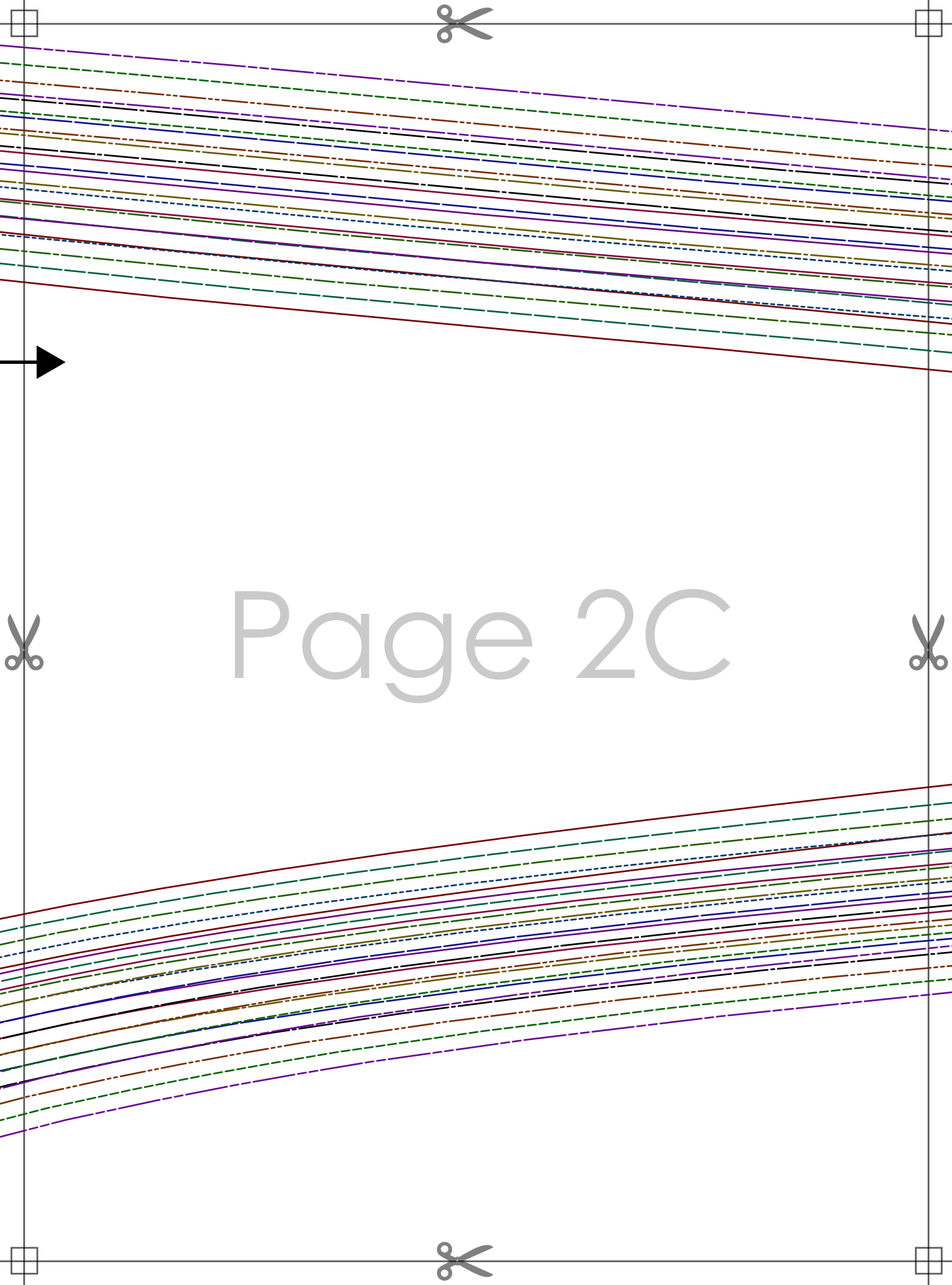
**GIRL'S LEGGINGS**  
with seam allowance

Size: **XXY**

**BACK**  
cut 2

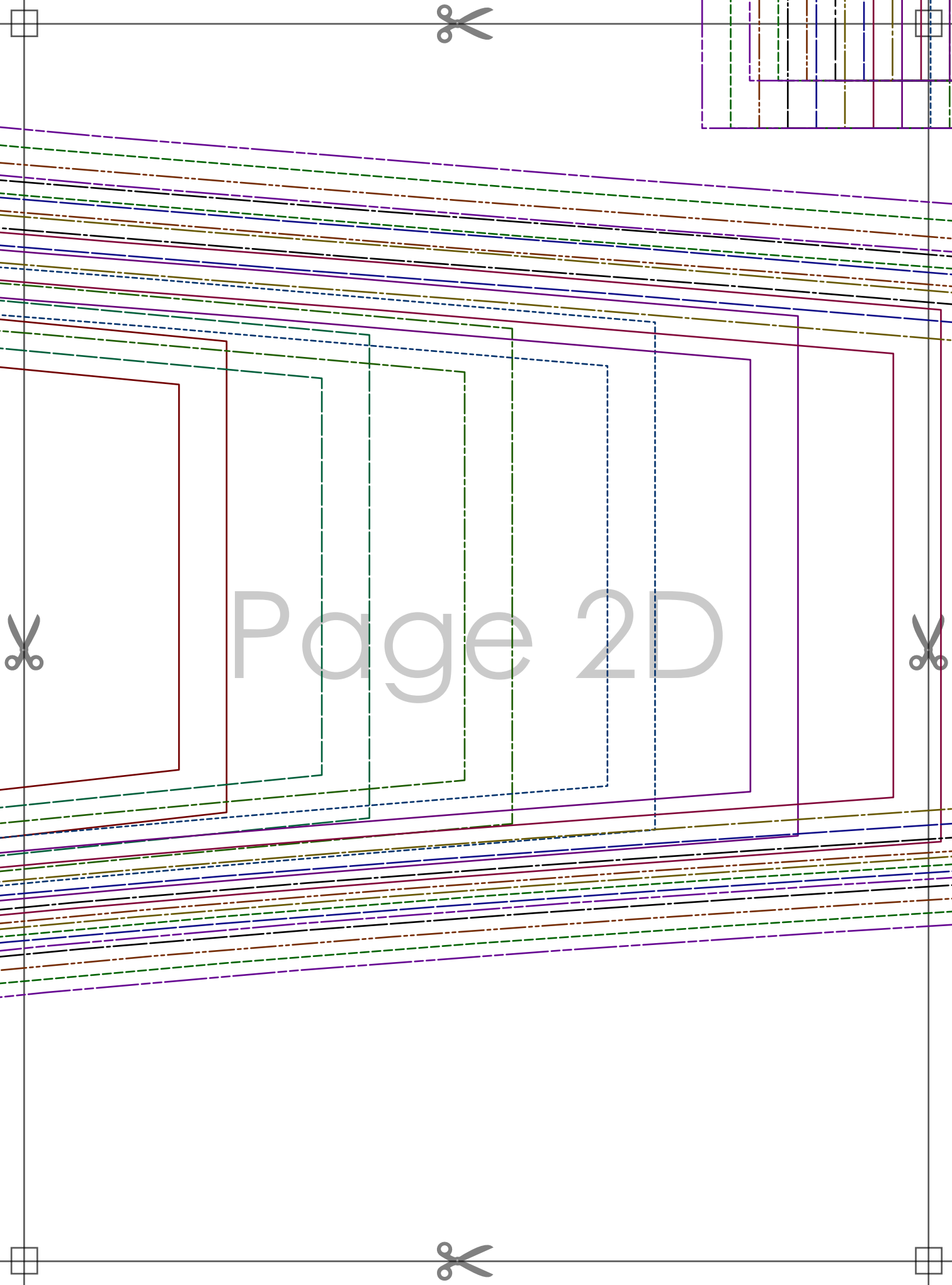
Grainline





Page 2C





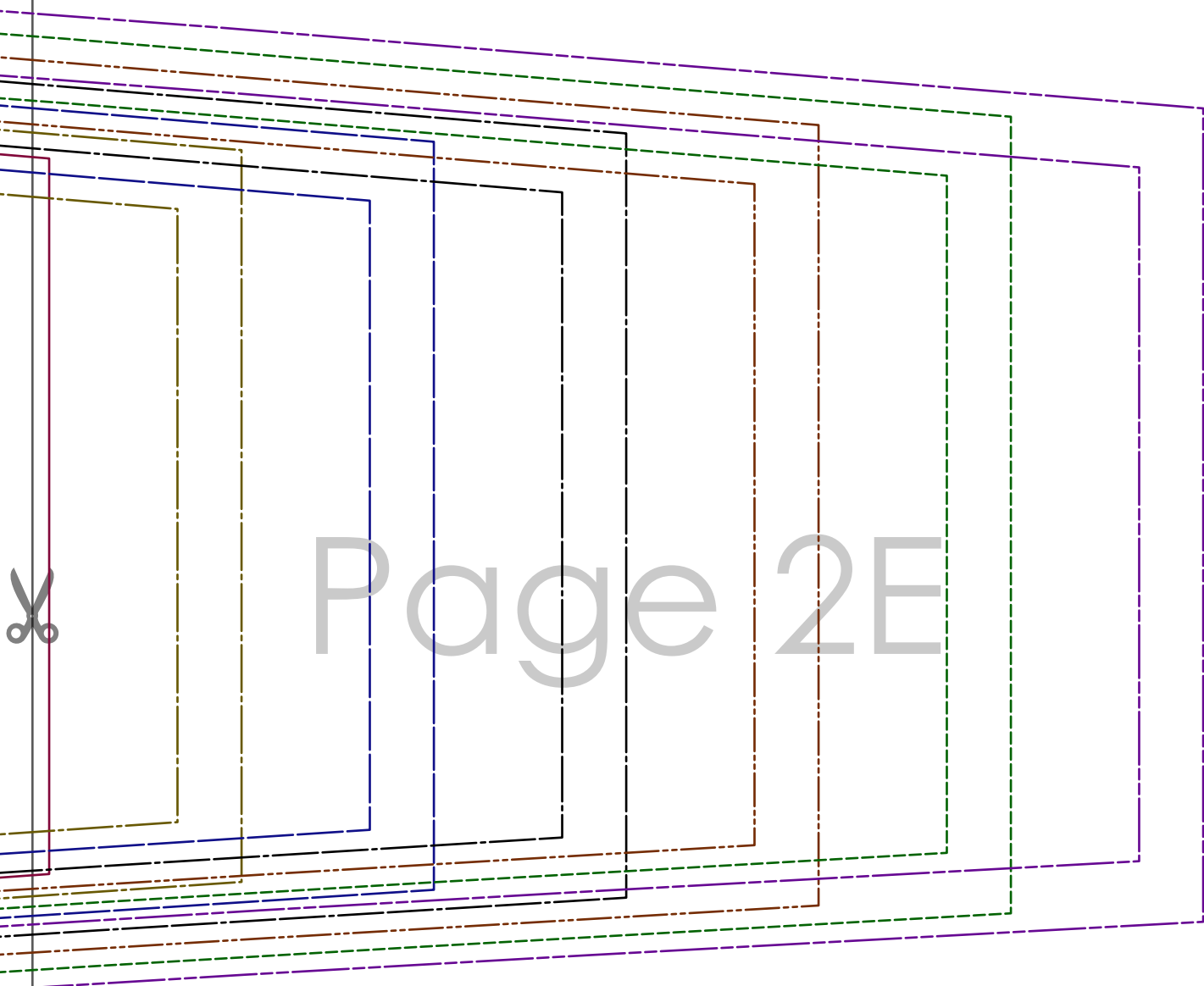
Page 2D

Size: **WY**  
WAISTBAND  
cut 2 on fold



line

Fold along



Page 2E