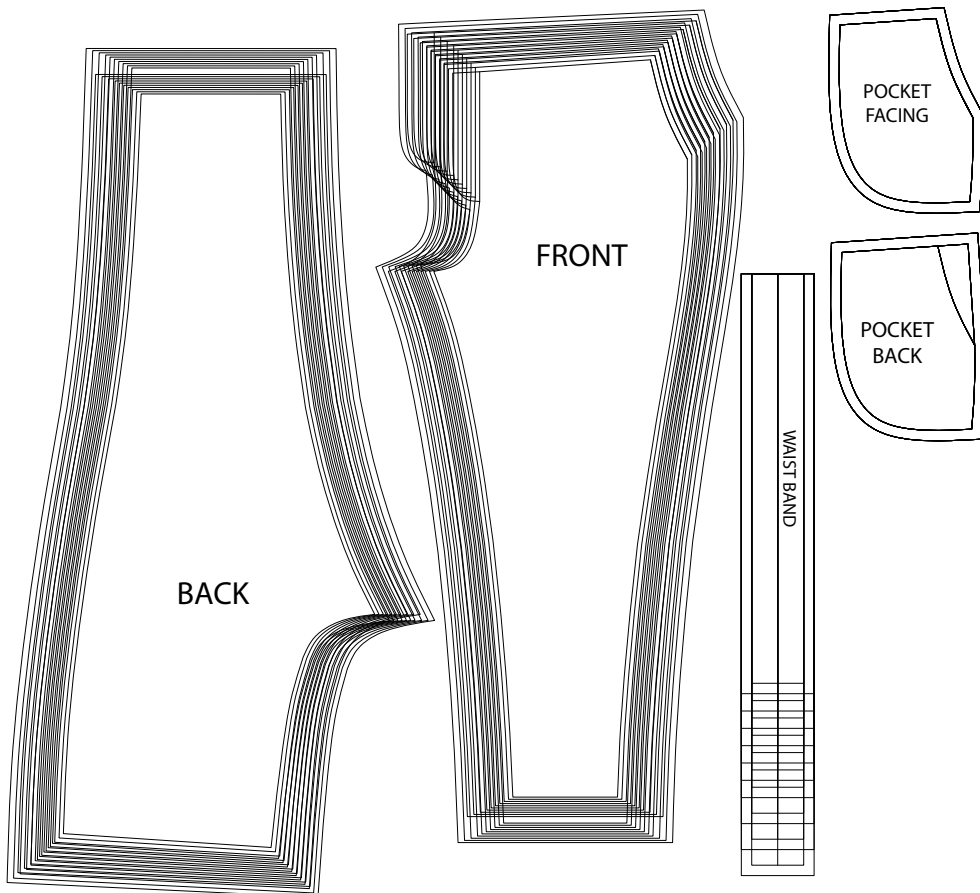


### SIZE TABLE FOR TIANA'S CLOSET PATTERNS

Size		XXS	XS	S	M	L	XL	XXL	3XL	4XL	5XL
Bust	centimeter	80	84	88	92	96	100	104	110	116	120
	inch	31.5	33.1	34.6	36.2	37.8	39.4	40.9	43.3	45.7	47.2
Waist	centimeter	60	64	68	72	76	80	84	90	96	102
	inch	23.6	25.2	26.8	28.3	29.9	31.5	33.1	35.4	37.8	40.2
Hip	centimeter	88	92	96	100	104	108	112	118	126	132
	inch	34.6	36.2	37.8	39.4	40.9	42.5	44.1	46.5	49.6	52.0

**Printing instruction:**

- Patterns are made in layered PDF format, where all sizes are saved in one file and can be shown or hidden. In order to choose the desired size, go to Layers tab of your PDF reader, uncheck all boxes except for the desired size(s) and the box Print for all sizes.
- When printing the pattern, go to Print settings, in the tab Scale choose Custom scale: 100% (or Actual size) to print true to size. Note: some computers print smaller than true size even when you choose 100%, so you will have to adjust the scale to a little larger than 100% and measure the test square until you get the true size.
- The test square is 10 centimeters (horizontally) and 4 inches (vertically).
- Always print the first page of the file and measure first to avoid waste of paper.
- After printing, cut the pages along the lines with scissors icon and align and tape the pages to their sequences. For example, 1A is taped to 1B in a row, and 1A is taped to 2A in a column.
- You can see photo instruction on Tiana's Closet website: <https://tianas-closet.com/index.php/how-to-print-tianas-closet-patterns/>



Page 1 A





Page 1 B



Page 1C

Page 1D



**ROSALIE ELASTIC WAIST CROPPED PANTS  
with seam allowance**

**~~Size M~~**

**FRONT  
cut 2**



Page 1E



**ROSALIE ELASTIC WAIST CROPPED PANTS  
with seam allowance**

~~Size: M~~

**POCKET FACING**  
cut 2

Page 1F

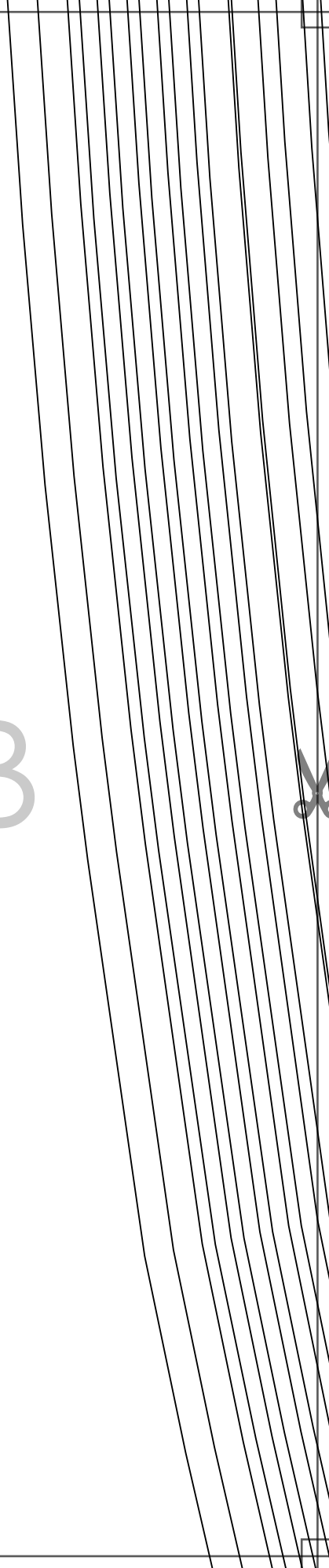
Grainline



Page 2A



Page 2B

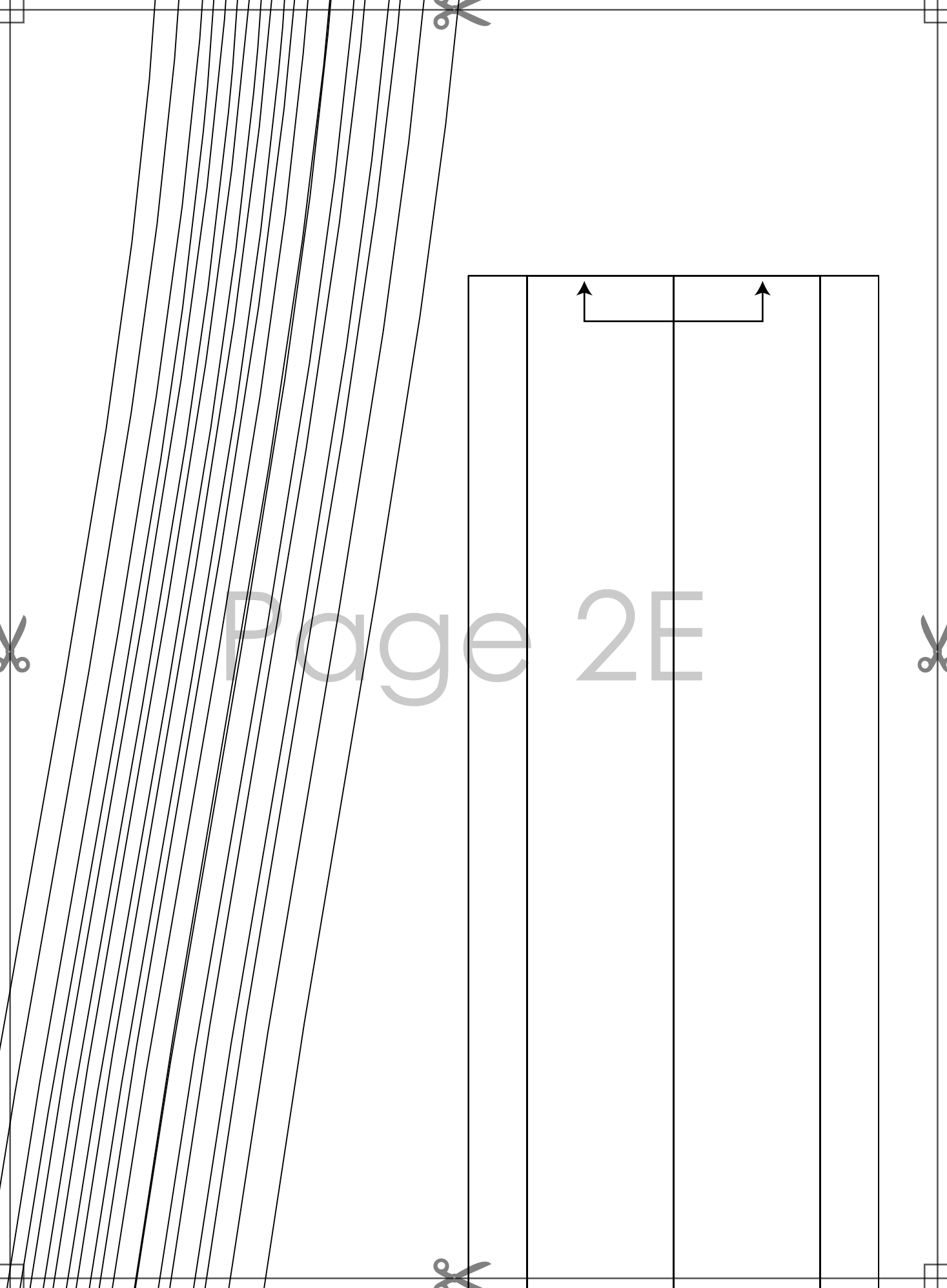


Page 2C

Page 2D

Grainline





Page 2E



**ROSALIE ELASTIC WAIST CROPPED PANTS  
with seam allowance**

~~Size: 20-22~~

**POCKET BACK  
cut 2**

Page 2F

Grainline



Page 3A

Grainline



Page 3B



Page 3C



Page 3D



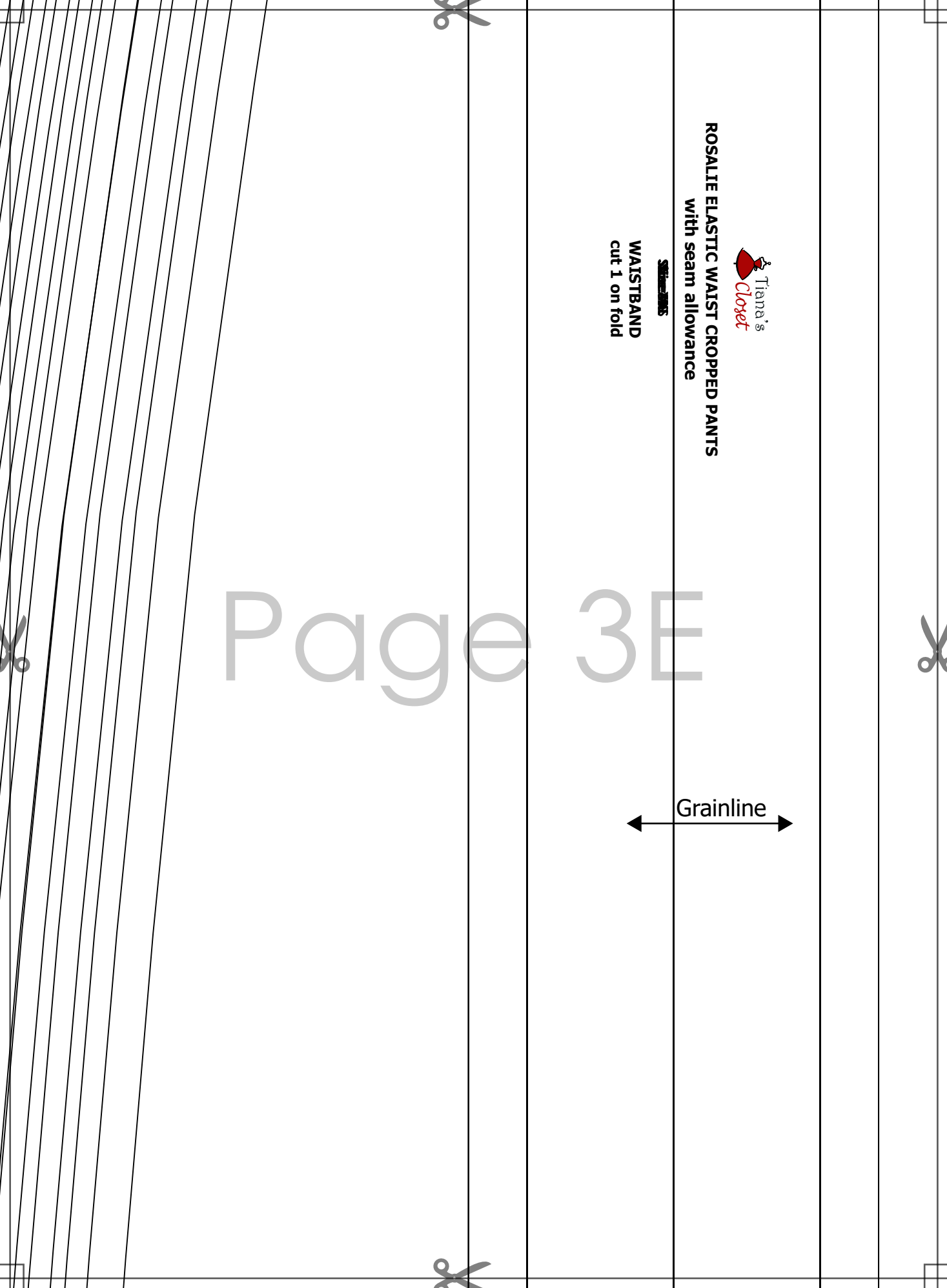
**ROSALIE ELASTIC WAIST CROPPED PANTS**  
with seam allowance

~~SEAMLINE~~  
**WAISTBAND**  
cut 1 on fold

Grainline



Page 3E



Page 4A



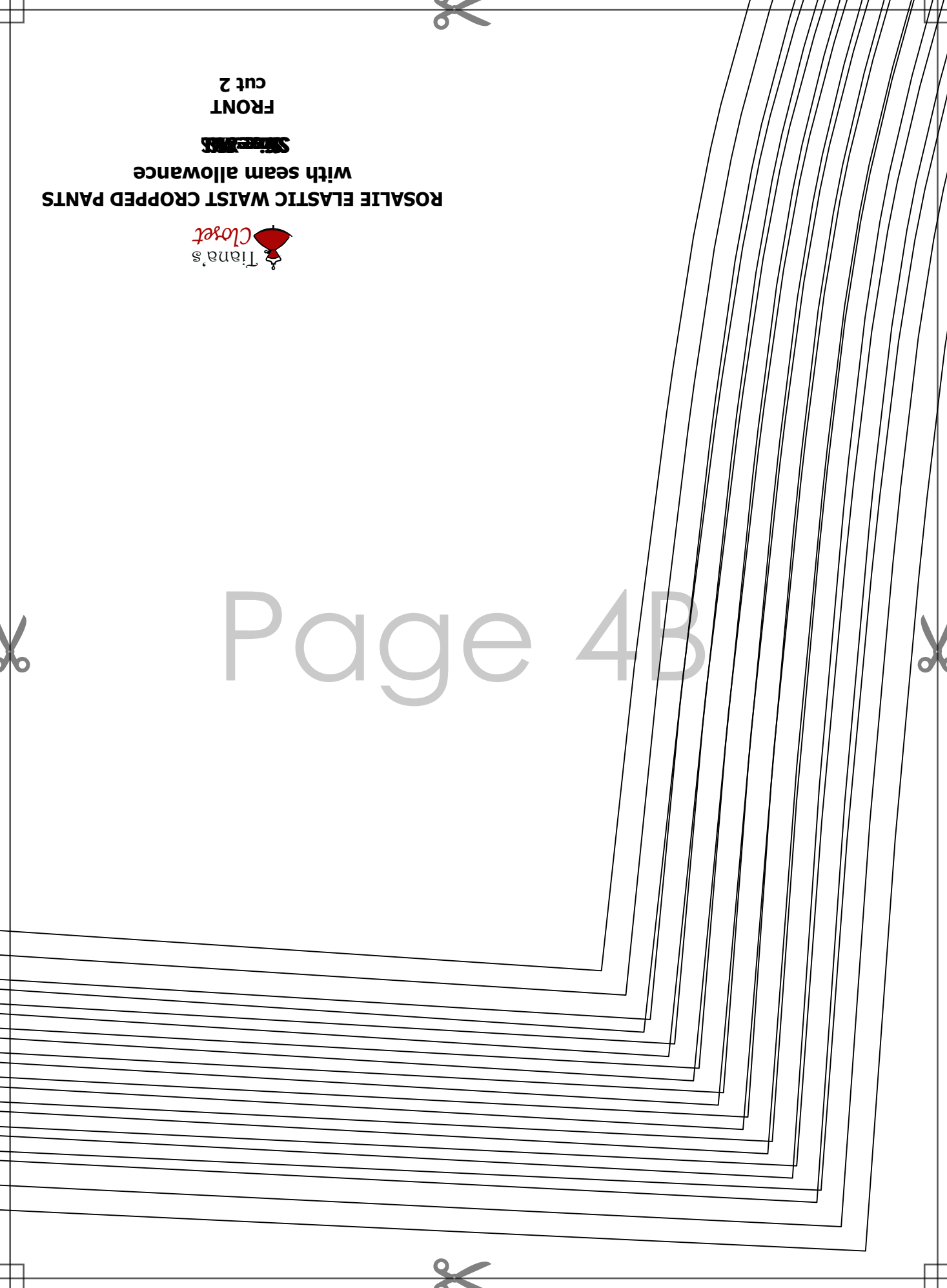
FRONT  
cut 2



ROSALIE ELASTIC WAIST CROPPED PANTS  
with seam allowance



Page 4B



Page 4C

Page 4D

