

Centimeters

0 1 2 3 4 5 6 7 8 9 10

Inches

1

2

3

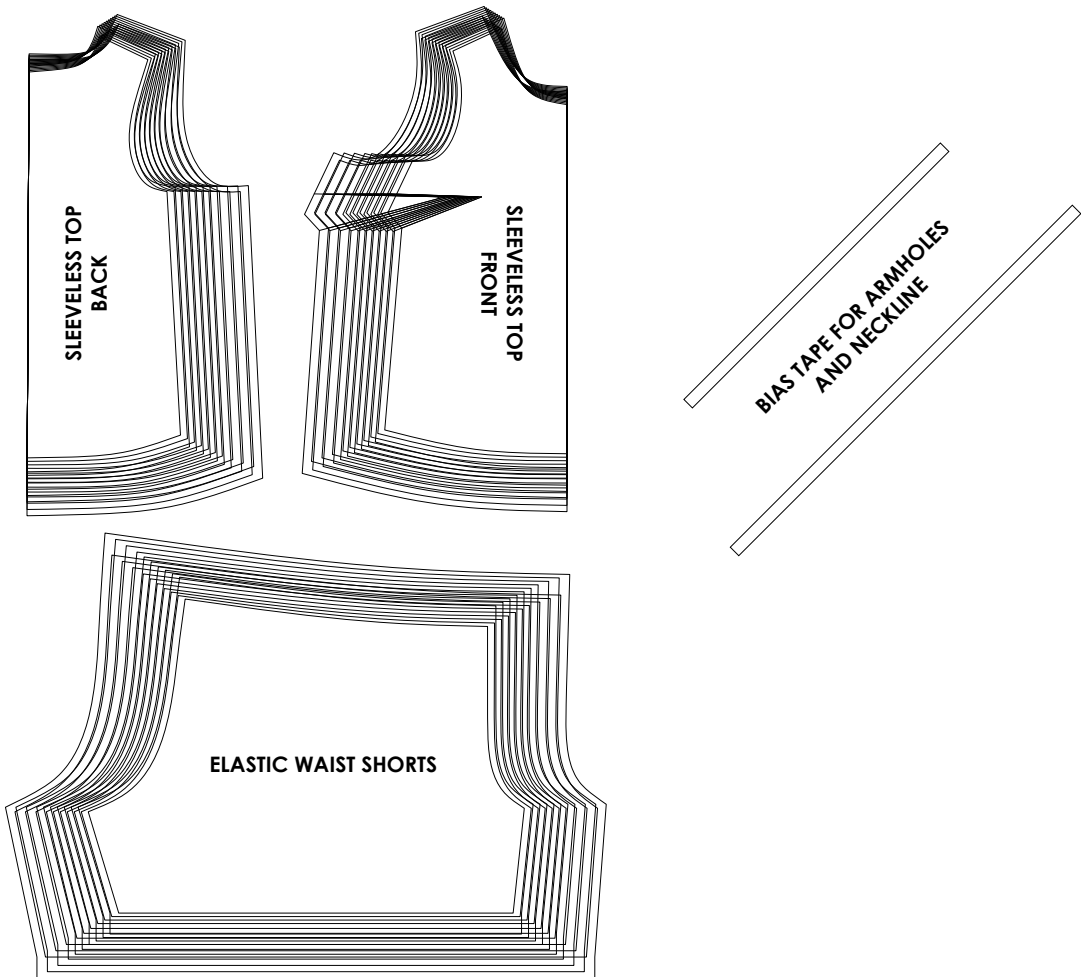
4

SIZE TABLE FOR TIANA'S CLOSET PATTERNS

Size		XXS	XS	S	M	L	XL	XXL	3XL	4XL	5XL
Bust	centimeter	80	84	88	92	96	100	104	110	116	120
	inch	31.5	33.1	34.6	36.2	37.8	39.4	40.9	43.3	45.7	47.2
Waist	centimeter	60	64	68	72	76	80	84	90	96	102
	inch	23.6	25.2	26.8	28.3	29.9	31.5	33.1	35.4	37.8	40.2
Hip	centimeter	88	92	96	100	104	108	112	118	126	132
	inch	34.6	36.2	37.8	39.4	40.9	42.5	44.1	46.5	49.6	52.0

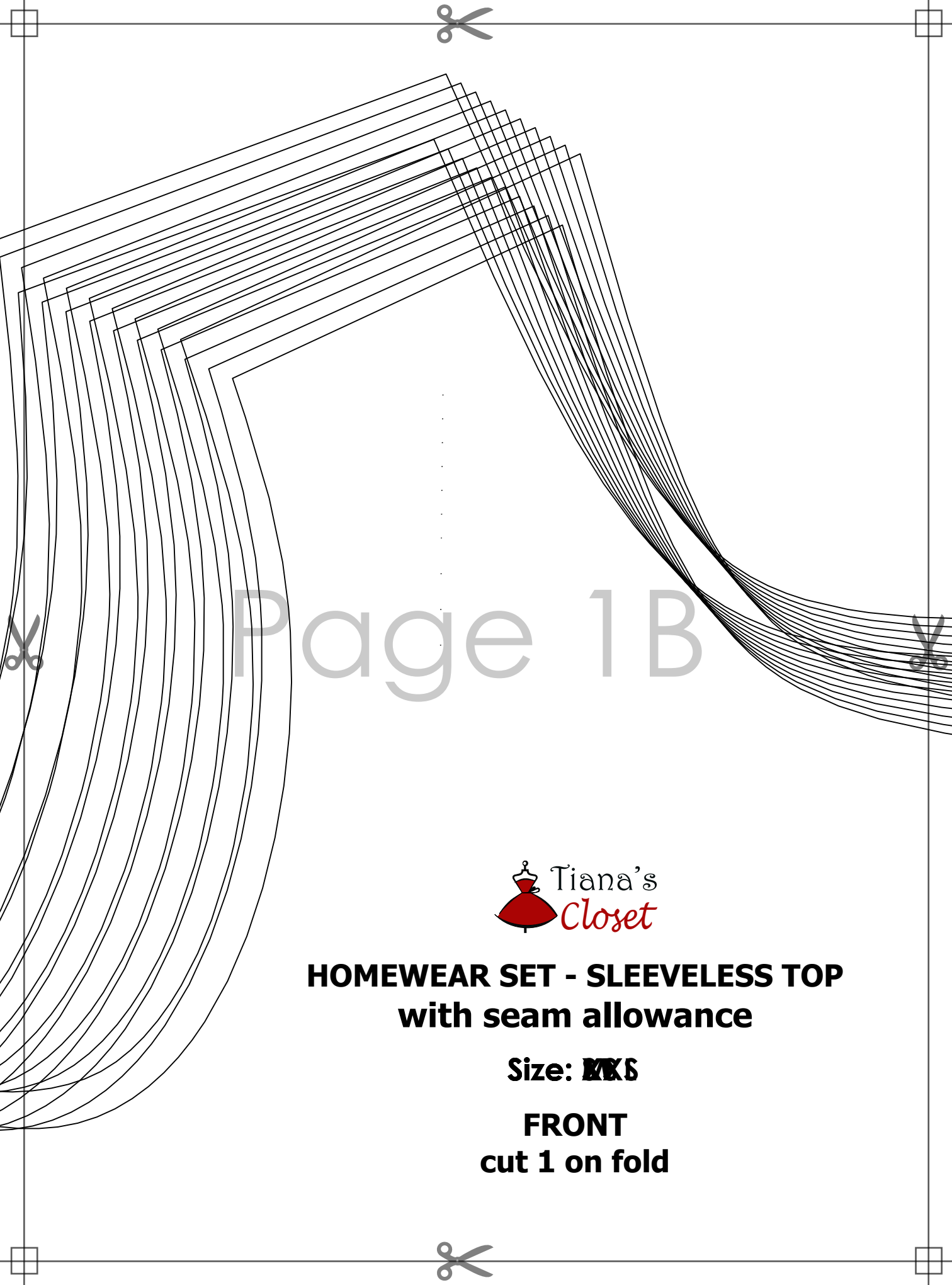
Printing instruction:

- Patterns are made in layered PDF format, where all sizes are saved in one file and can be shown or hidden. In order to choose the desired size, go to Layers tab of your PDF reader, uncheck all boxes except for the desired size(s) and the box Print for all sizes.
- When printing the pattern, go to Print settings, in the tab Scale choose Custom scale: 100% (or Actual size) to print true to size. Note: some computers print smaller than true size even when you choose 100%, so you will have to adjust the scale to a little larger than 100% and measure the test square until you get the true size.
- The test square is 10 centimeters (horizontally) and 4 inches (vertically).
- Always print the first page of the file and measure first to avoid waste of paper.
- After printing, cut the pages along the lines with scissors icon and align and tape the pages to their sequences. For example, 1A is taped to 1B in a row, and 1A is taped to 2A in a column.
- You can see photo instruction on Tiana's Closet website: <https://tianas-closet.com/index.php/how-to-print-tianas-closet-patterns/>



Page 1A





Page 1 B



**HOMEWEAR SET - SLEEVELESS TOP
with seam allowance**

Size: ~~MXS~~

**FRONT
cut 1 on fold**



Page 1C



**HOMEWEAR SET - SLEEVELESS TOP
with seam allowance**

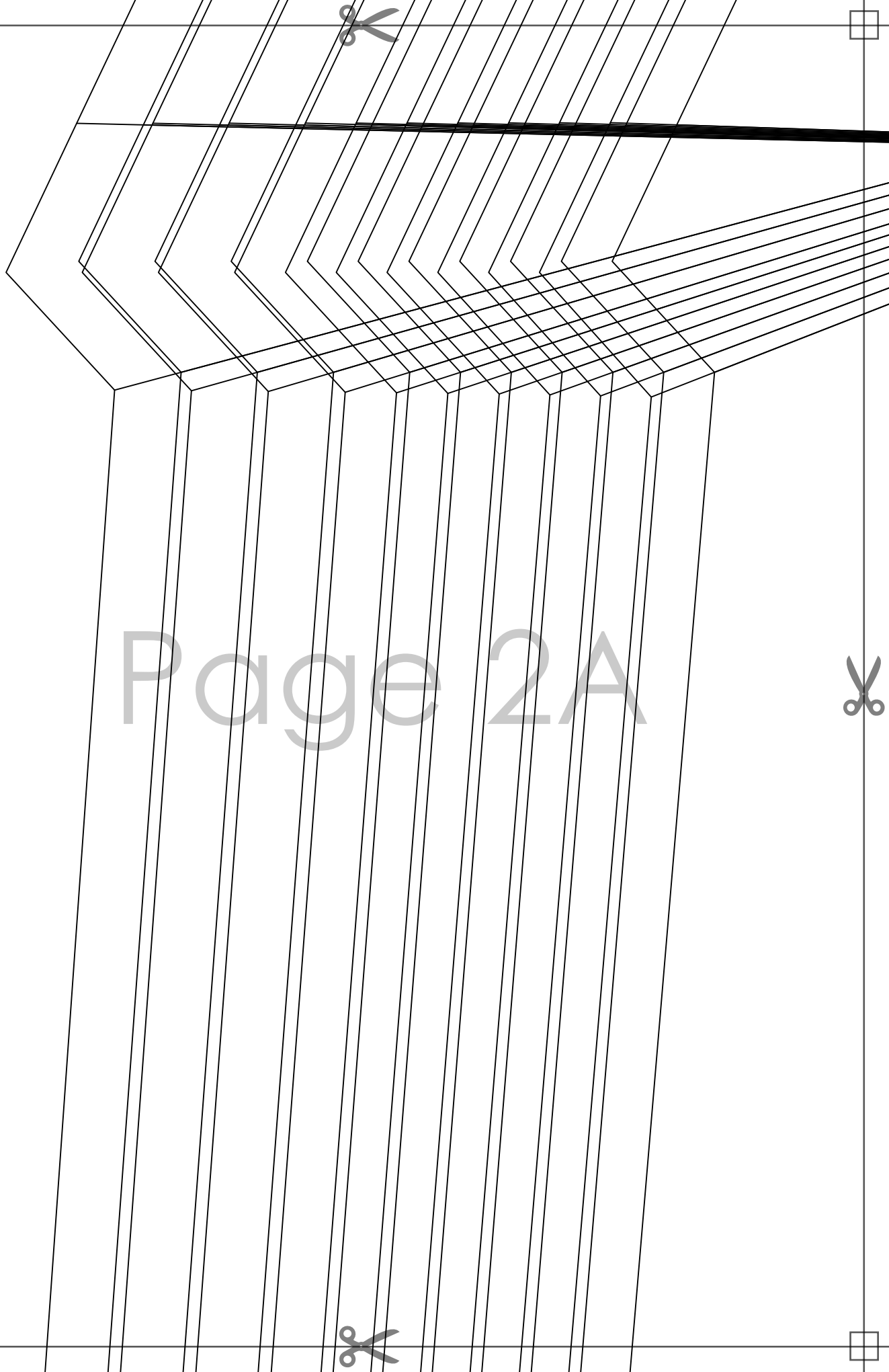
Size: ~~MXS~~

**BACK
cut 1 on fold**

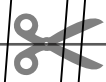


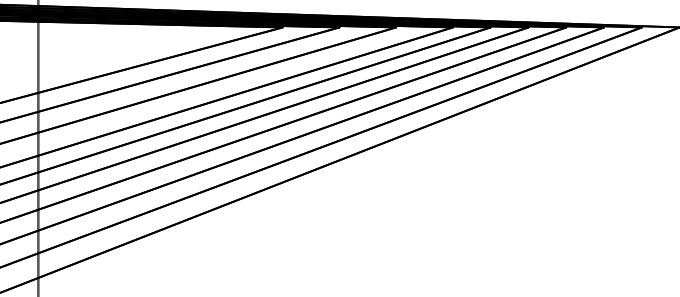


Page 1D



Page 2A





Page 2B

Grainline



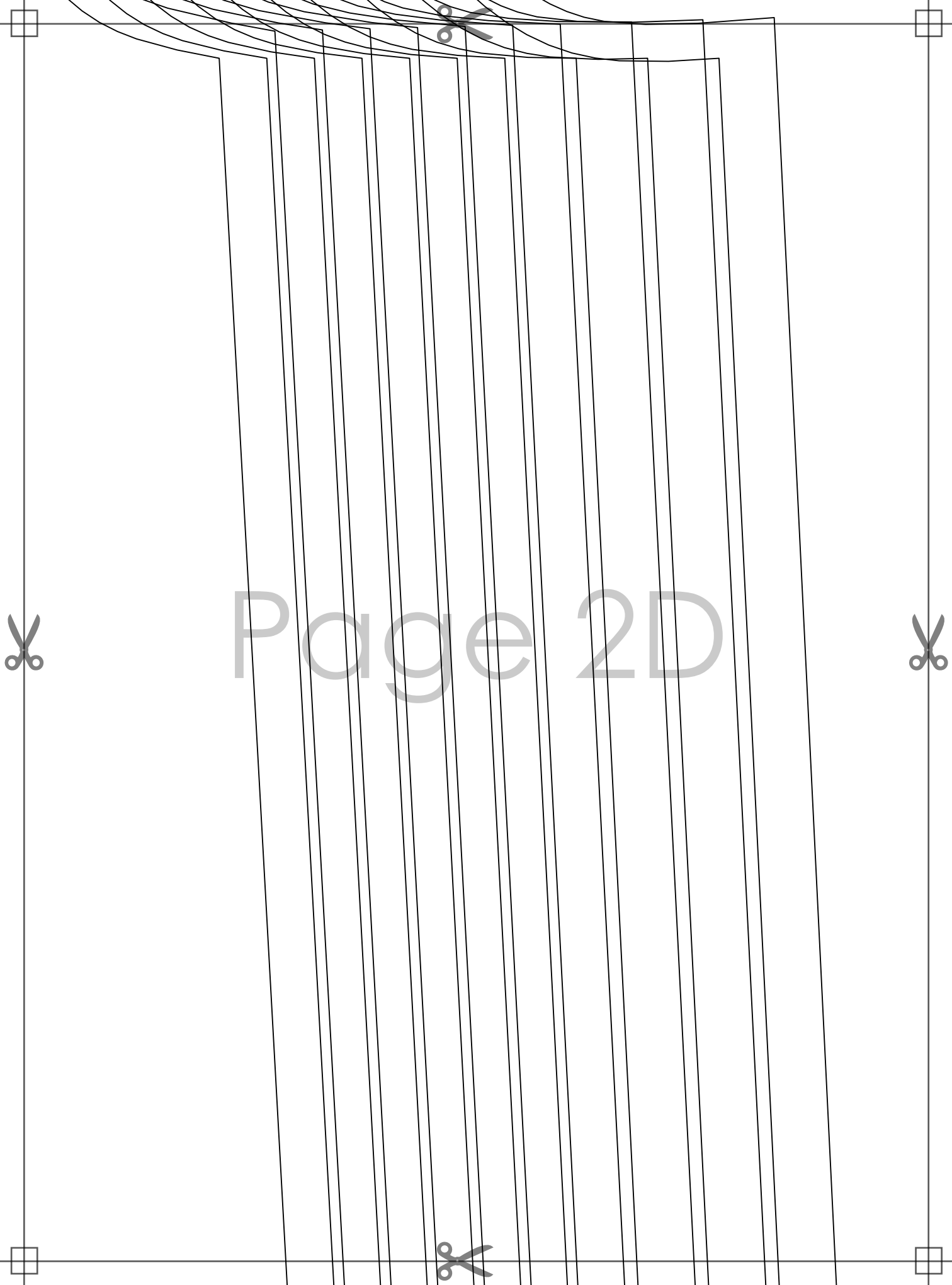
Fold along this line

Fold along this line

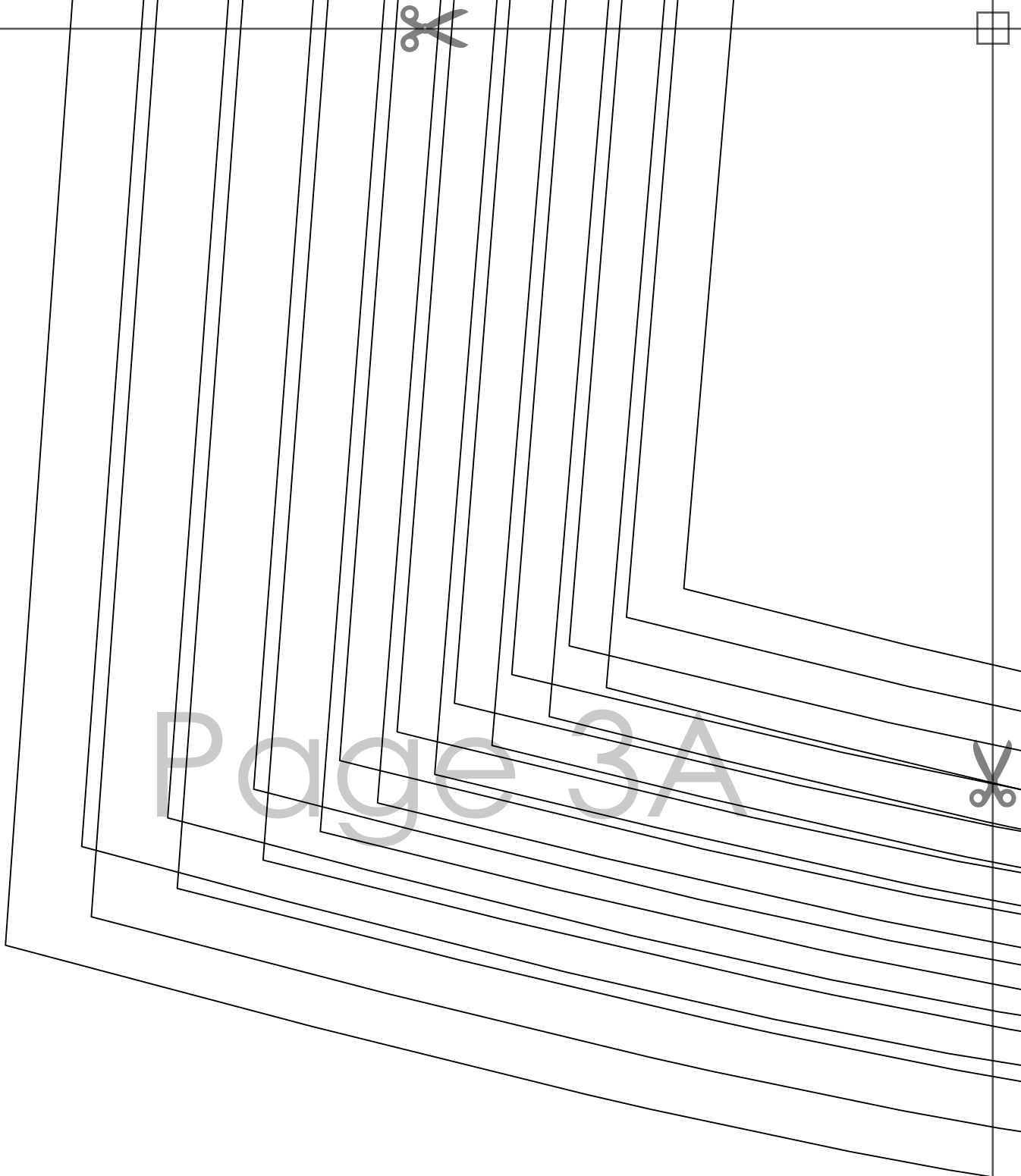
Grainline

Page 2C





Page 2D



Page 3A





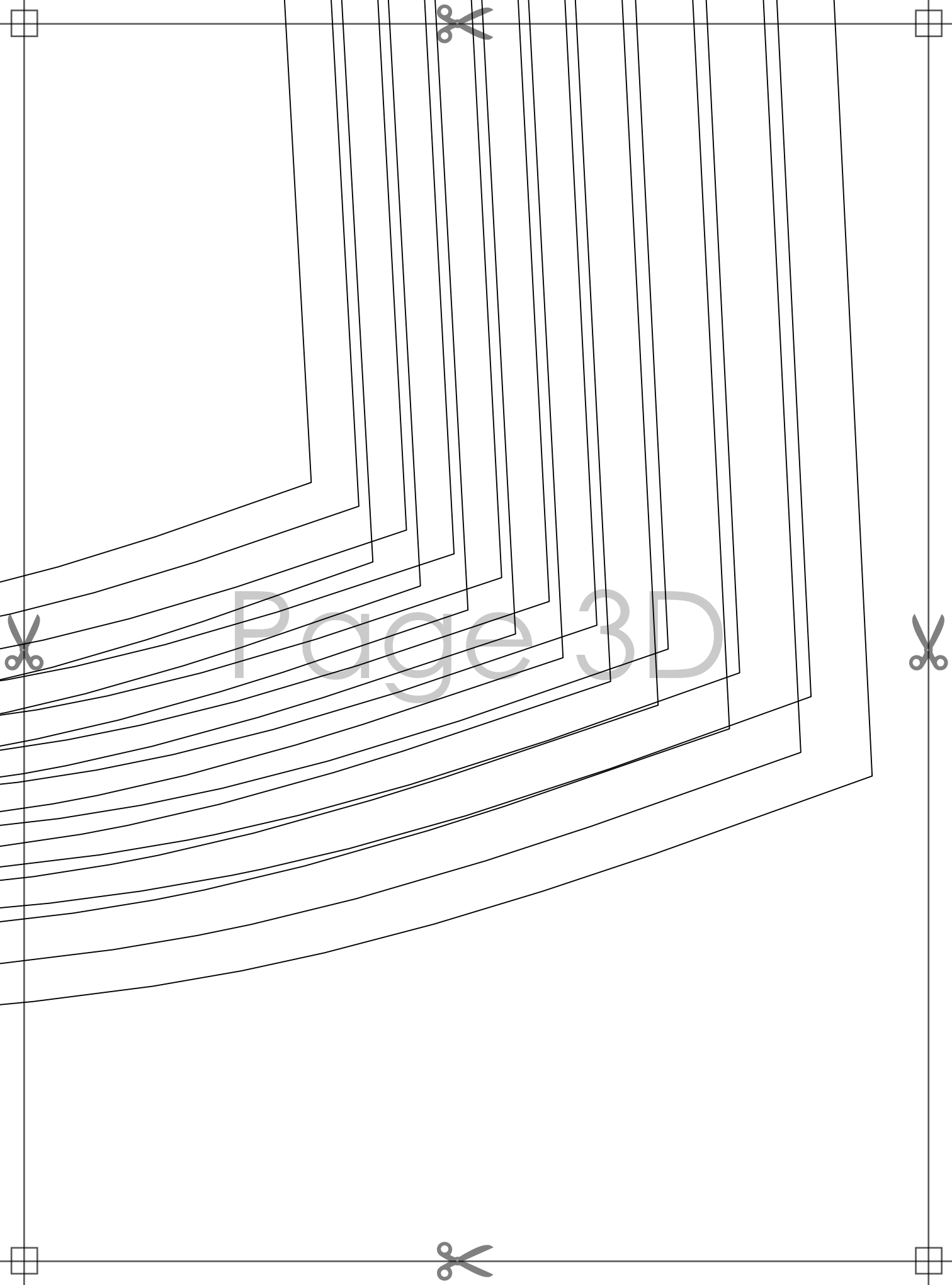
Page 3B





Page 3C





Page 3D

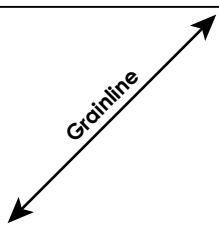


Page 4A





HOMEWEAR SET - BIAS TAPE FOR ARMHOLE
 (adjust length based on fabric elasticity)
 cut 2



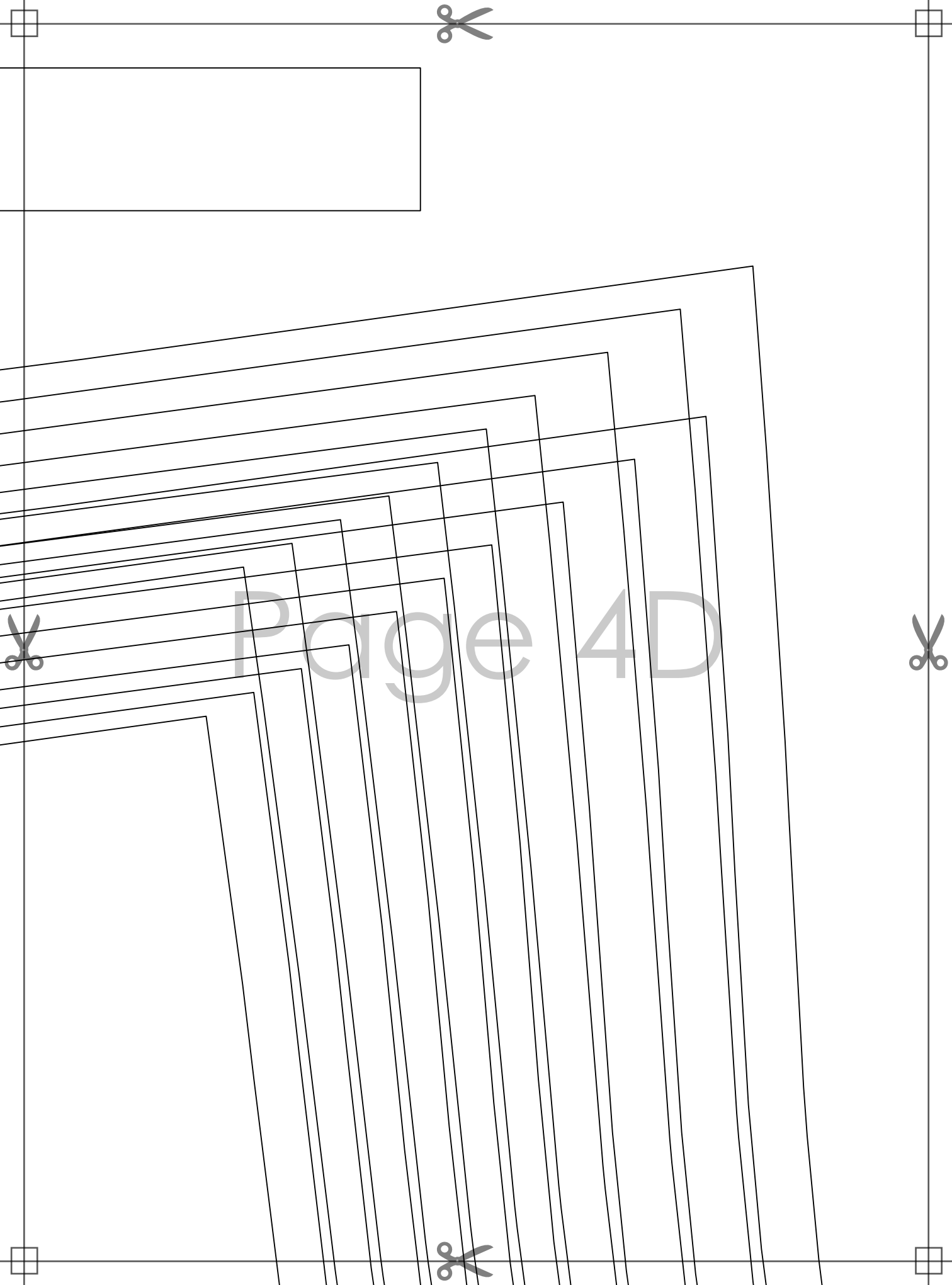
Page 4B





Page 4C

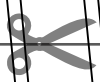




Page 4D



Page 5A



Page 5B

Grainline





**HOMEWEAR SET - ELASTIC WAIST SHORTS
with seam allowance**

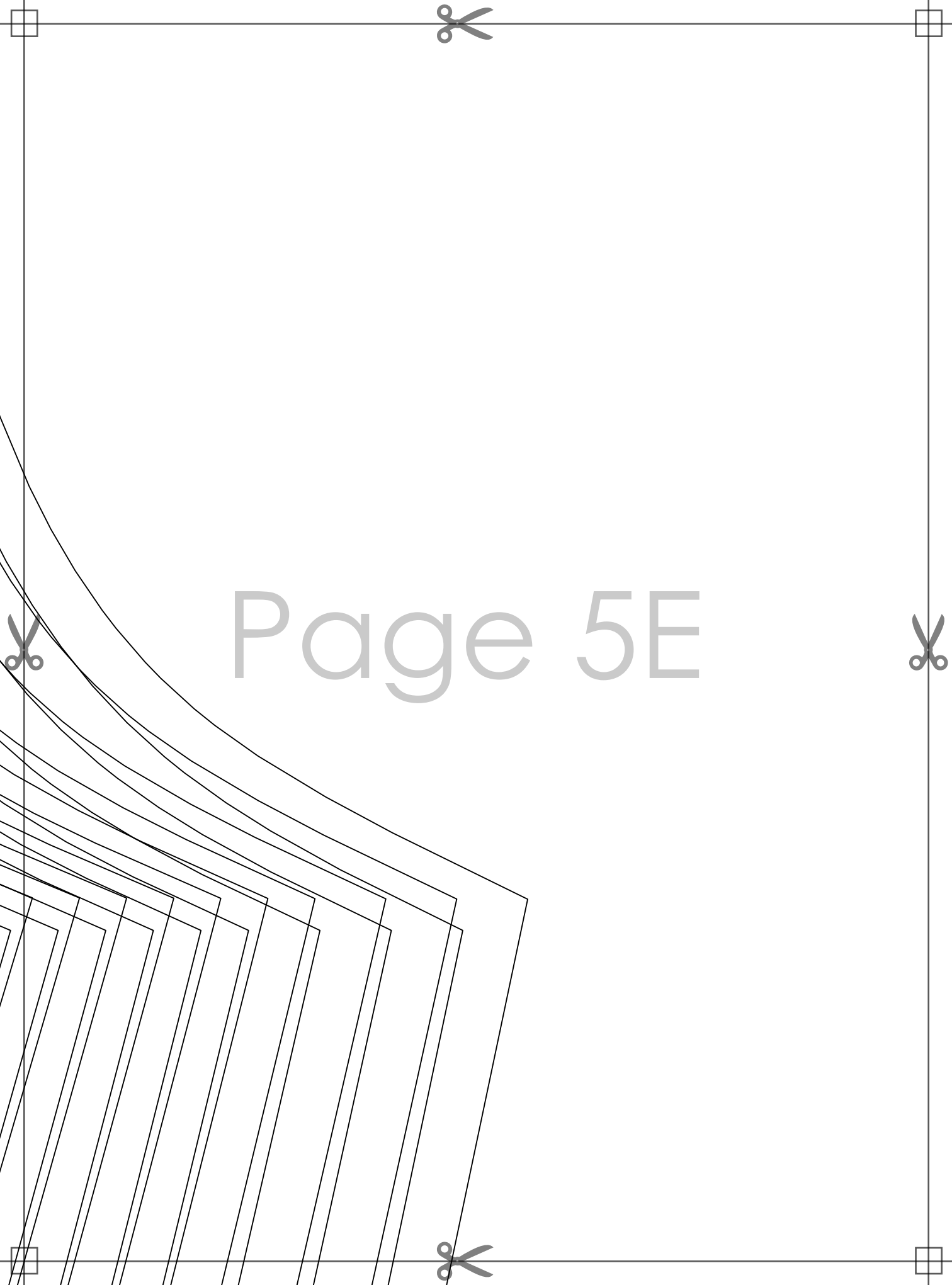
Size: ~~MXS~~

cut 2

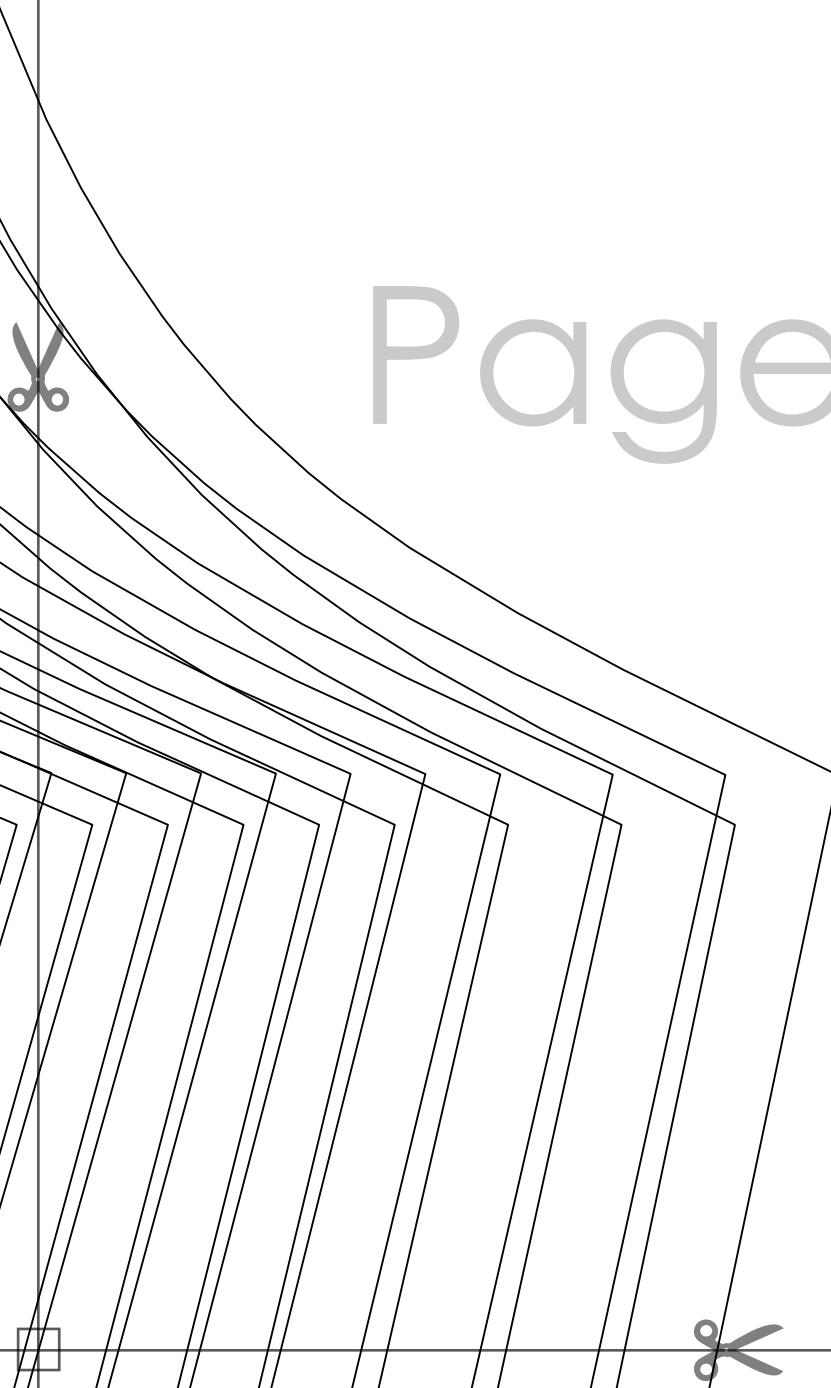
Page 5C

Page 5D





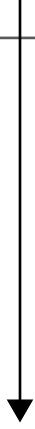
Page 5E





Page 6A





Page 6B



HOMWEAR SE
(adjust lengt



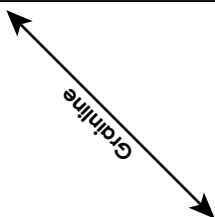


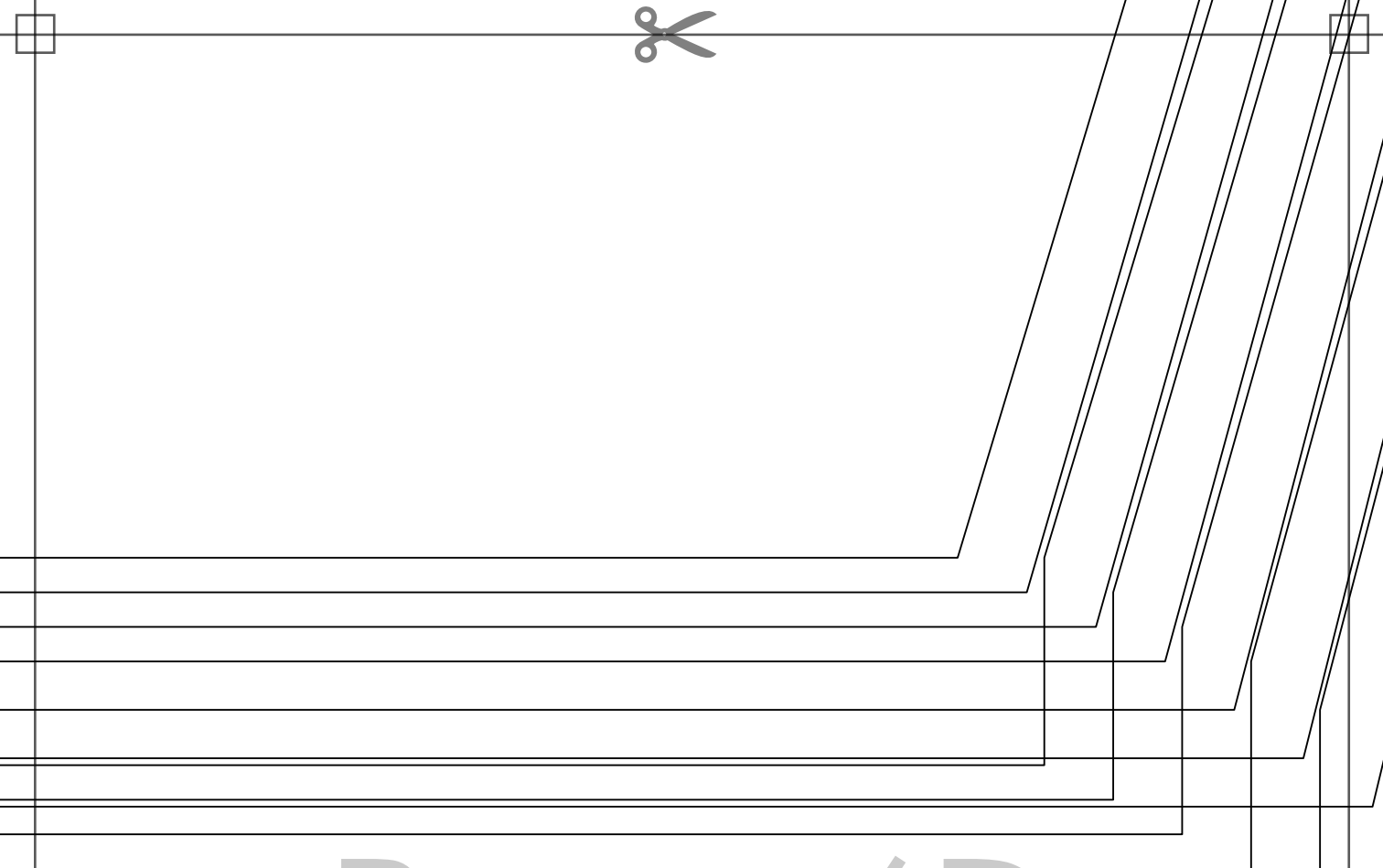
Page 6C



WEAR SET - BIAS TAPE FOR NECKLINE
(cut length based on fabric elasticity)

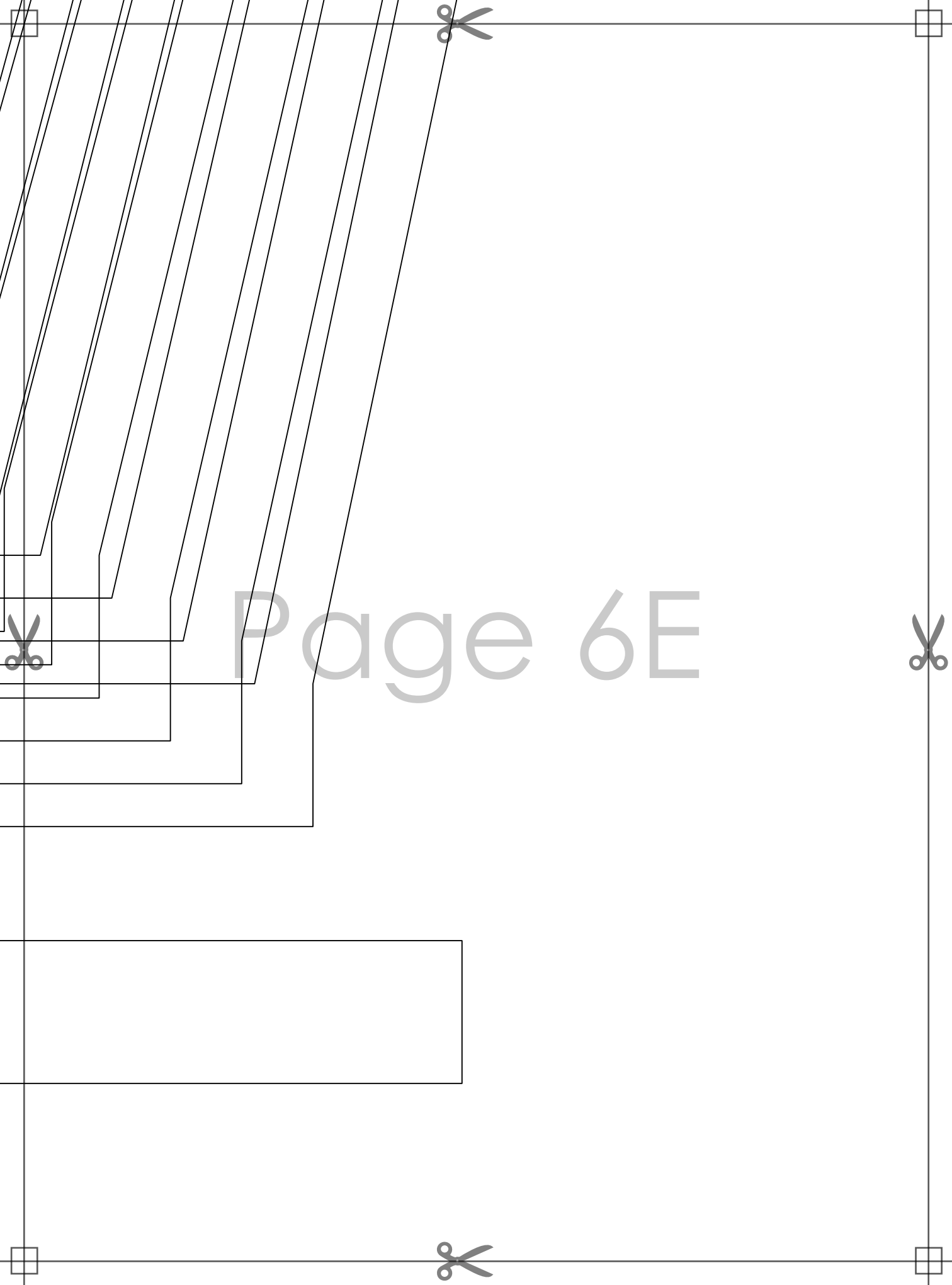
cut 1





Page 6D





Page 6E